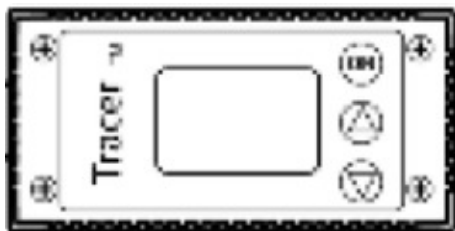


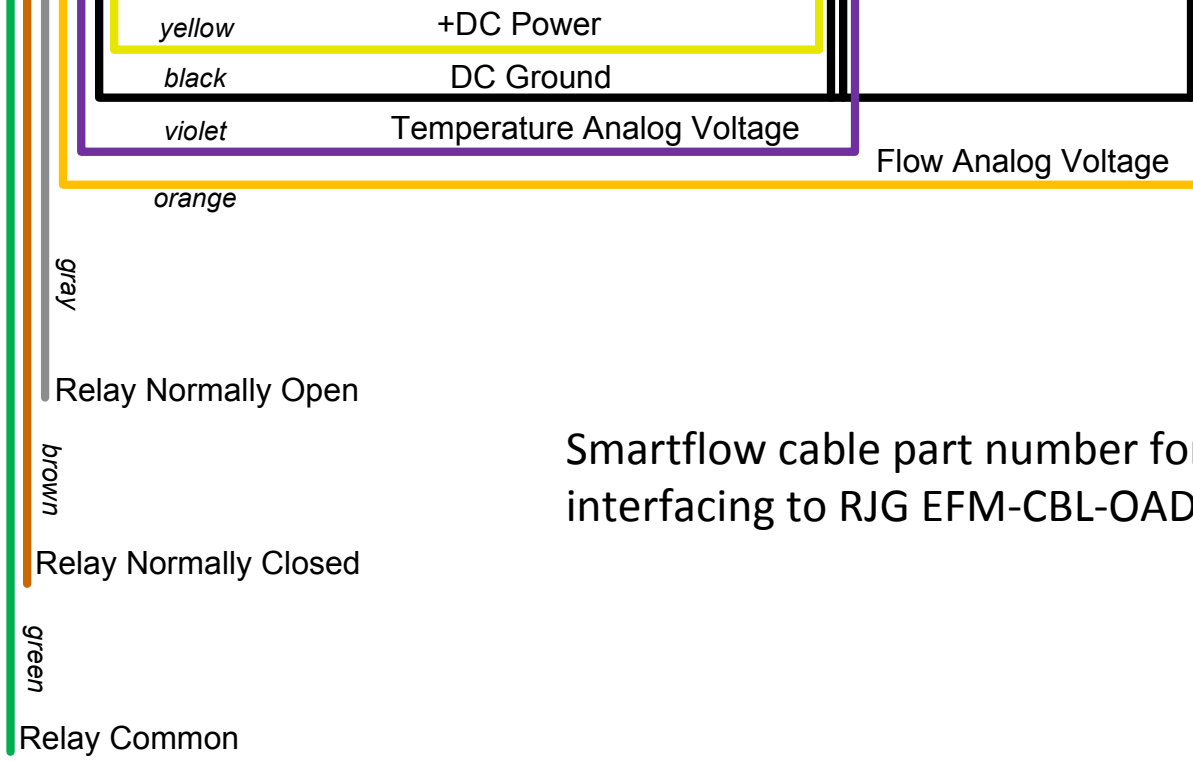
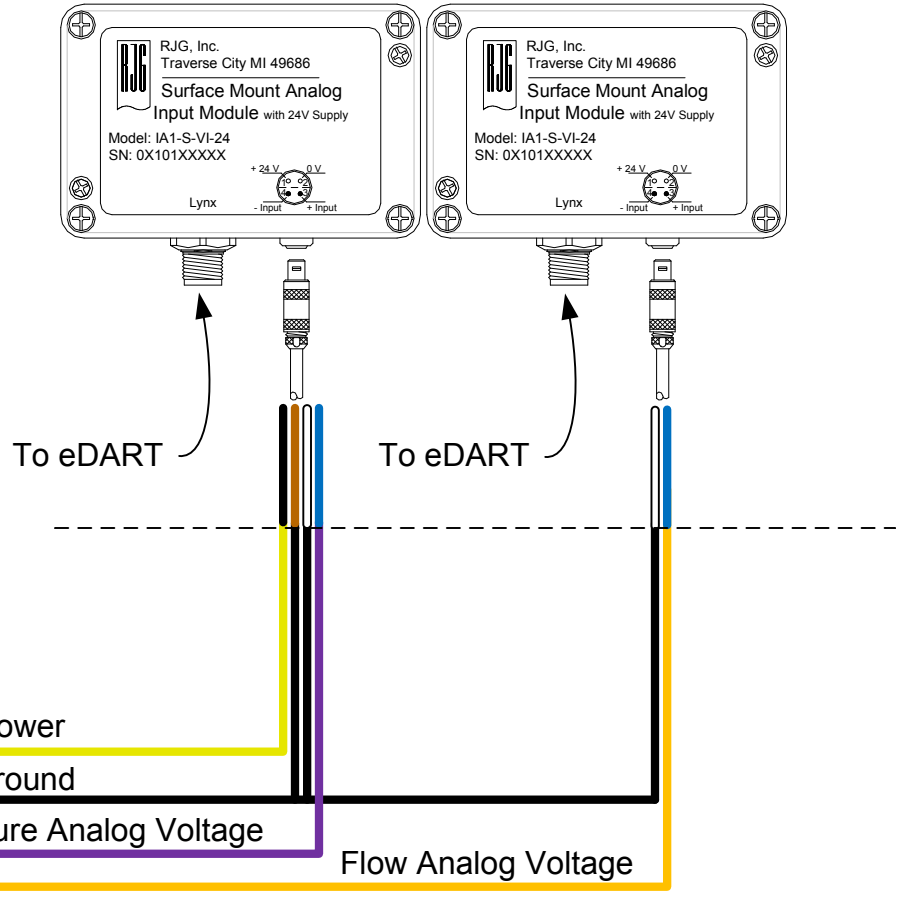
# Interfacing Tracer Smartflow To eDART Utilizing (2) IA1-S-VI-24

Wire Color	Function
Black	DC Ground (Ground for Analog Output)
Yellow	+DC Input (8 to 28VDC)
Red	Not used
Blue	Not used
Orange	Flow Analog Voltage Output (+)
Violet	Temp. Analog Voltage Output (+)
Green	Relay Common
Brown	Relay Normally Closed
Gray	Relay Normally Open

Signal	Details	Wire Color
+ Input	0 - 10V or 4 - 20mA Input (internal jumper selectable)	Blue
- Input	Analog Common	White
+ 24 V	24V Sensor Power	Black
+ 0 V	Sensor Power Common	Brown



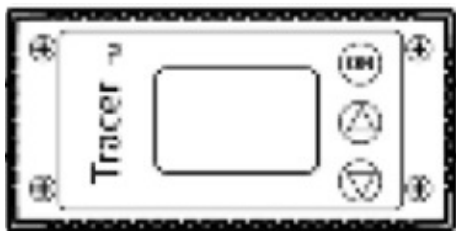
Set up Tracer for 0-10V outputs. See manual.



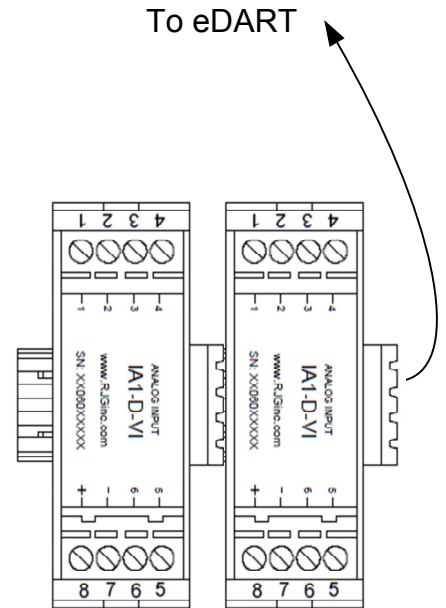
Smartflow cable part number for interfacing to RJG EFM-CBL-OAD

# Interfacing Tracer Smartflow To eDART Utilizing (2) IA1-D-VI And Power Supply

Wire Color	Function
Black	DC Ground (Ground for Analog Output)
Yellow	+DC Input (8 to 28VDC)
Red	Not used
Blue	Not used
Orange	Flow Analog Voltage Output (+)
Violet	Temp. Analog Voltage Output (+)
Green	Relay Common
Brown	Relay Normally Closed
Gray	Relay Normally Open



User supplied  
8 – 24 VDC 50 mA  
Power Supply



Set up Tracer for  
0 -10V outputs.  
See manual.

