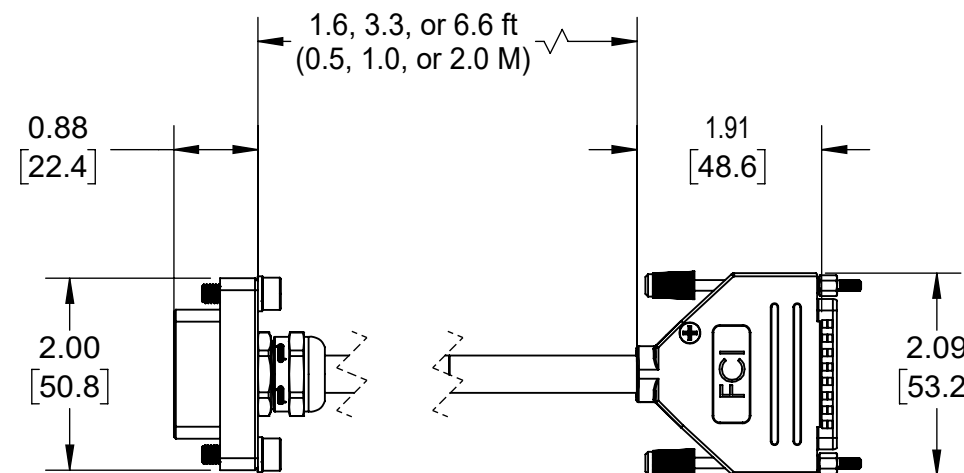
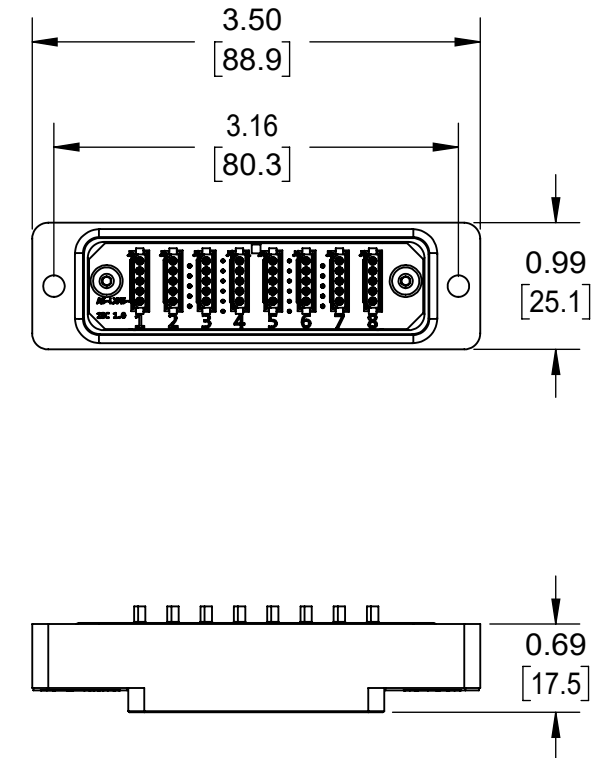
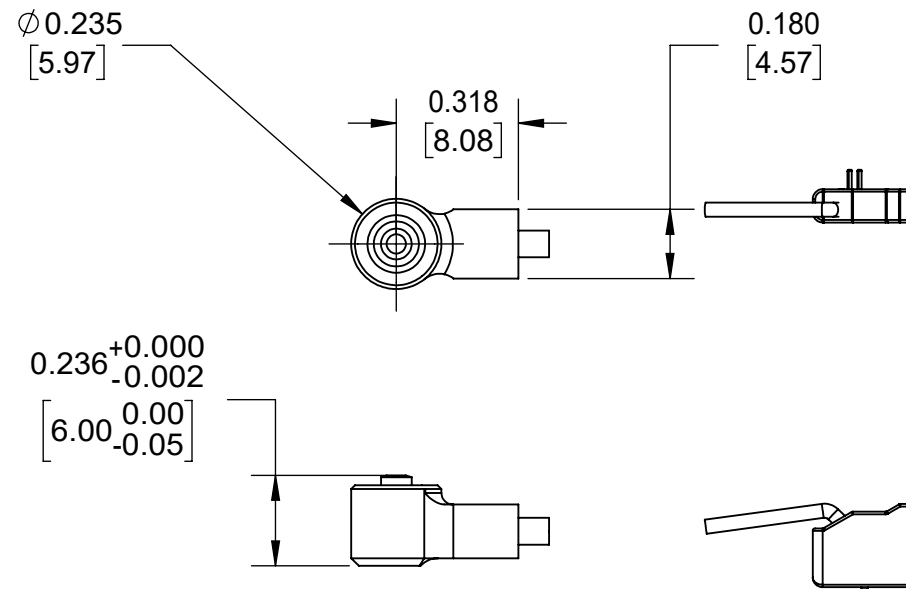
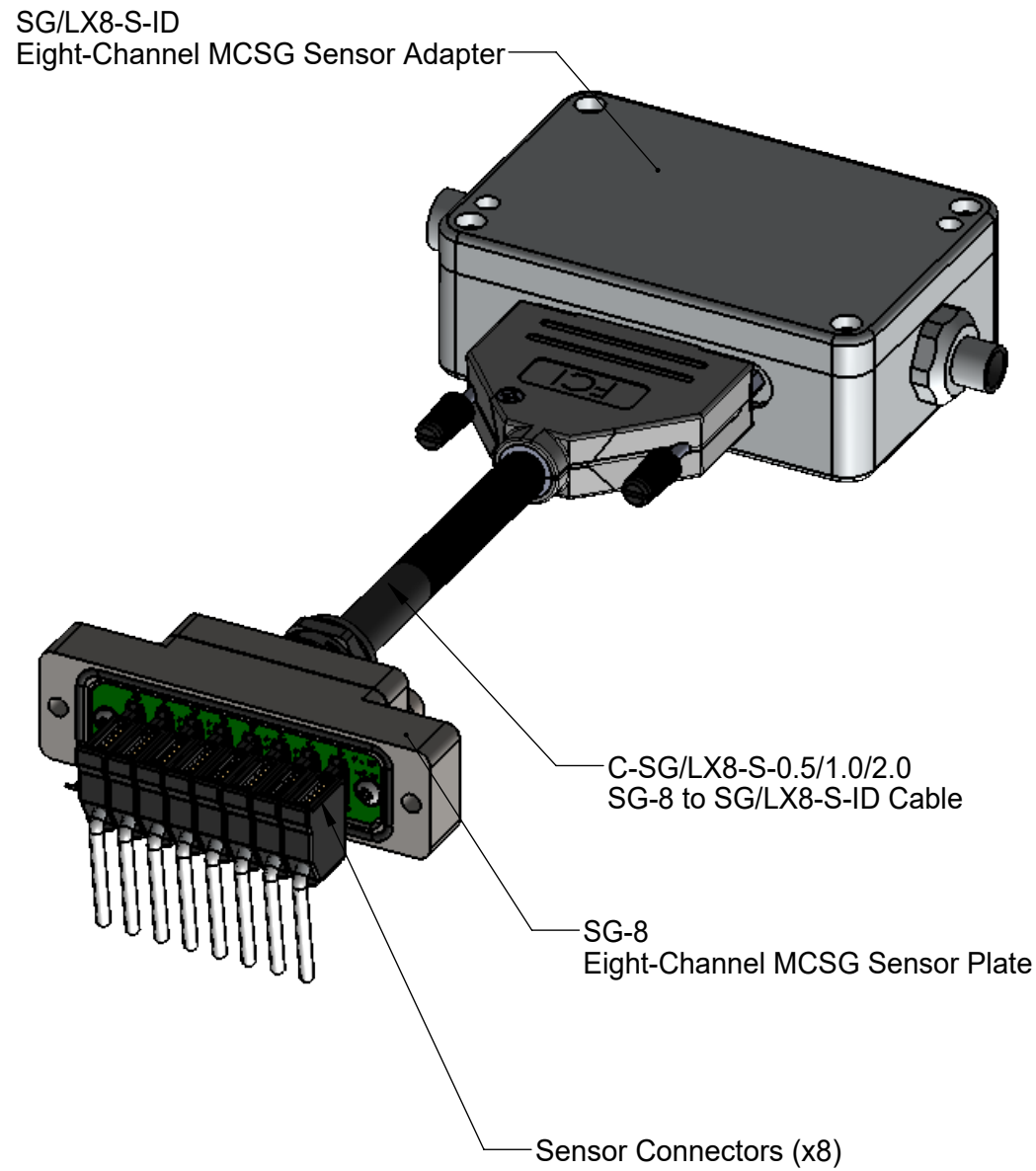


Drawing Title: MCSG-B-60-50/250-01

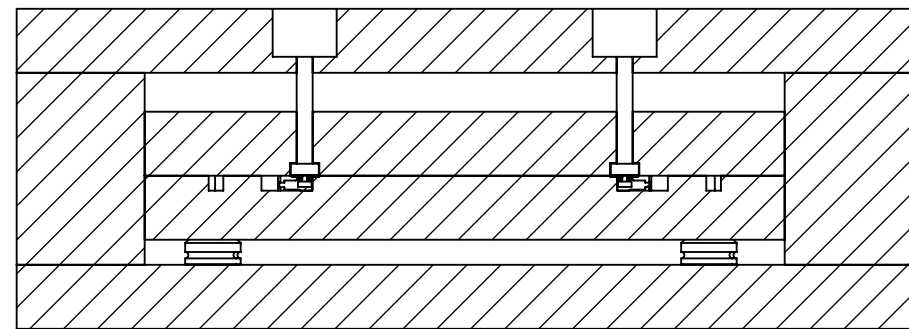
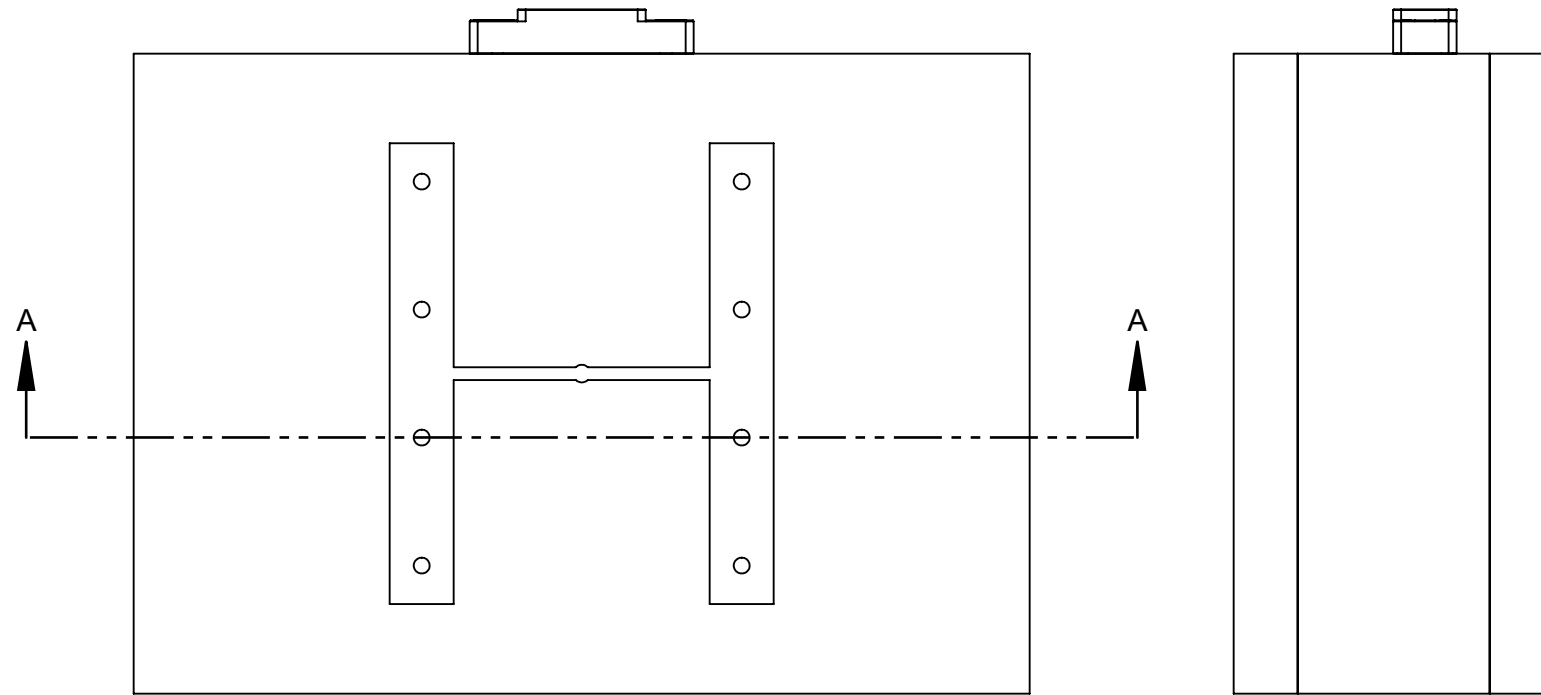
Multi-Channel Strain Gage Sensor (MCSG-B-60-50/250) Installation—Sensor, Sensor Connector, and Sensor Cable Dimensions



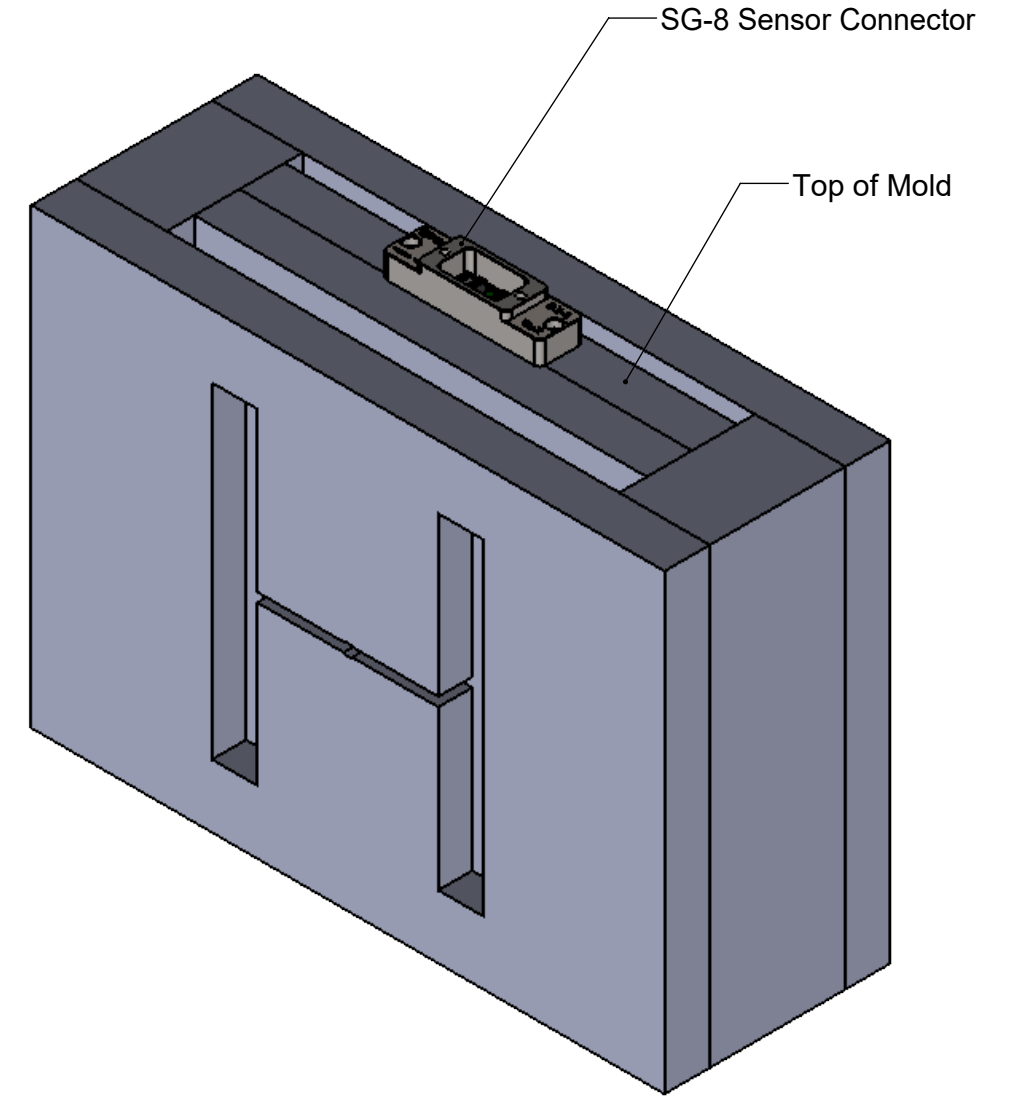
- NOTES:
1. ENCLOSED EJECTOR BOX SUGGESTED.
 2. DO NOT SCALE PRINT
 3. BREAK ALL SHARP EDGES, 0.005 [0.03] R MAX
 4. DIMENSIONS IN INCHES [MM], UNLESS NOTED
 5. TOLERANCES UNLESS SPECIFIED:
 XXX = ± 0.003 [0.08]
 XX = ± 0.01 [0.3]
 ANGLES = $\pm 3^\circ 30'$

 <p>3111 Park Street, Traverse City, MI 49686 231-944-2111 www.rjg.com</p>	Description: MCSG-B-60-50/250 Sensor Installation
	Drawn: K.J.Brettschneider
	Check: M.Groleau
	Date: 10.23.2023

Lynx™ 6 mm Multi-Channel Strain Gage (MCSG) Sensor Installation—Ejector Plate Installation



SECTION A-A
SCALE 1 : 3

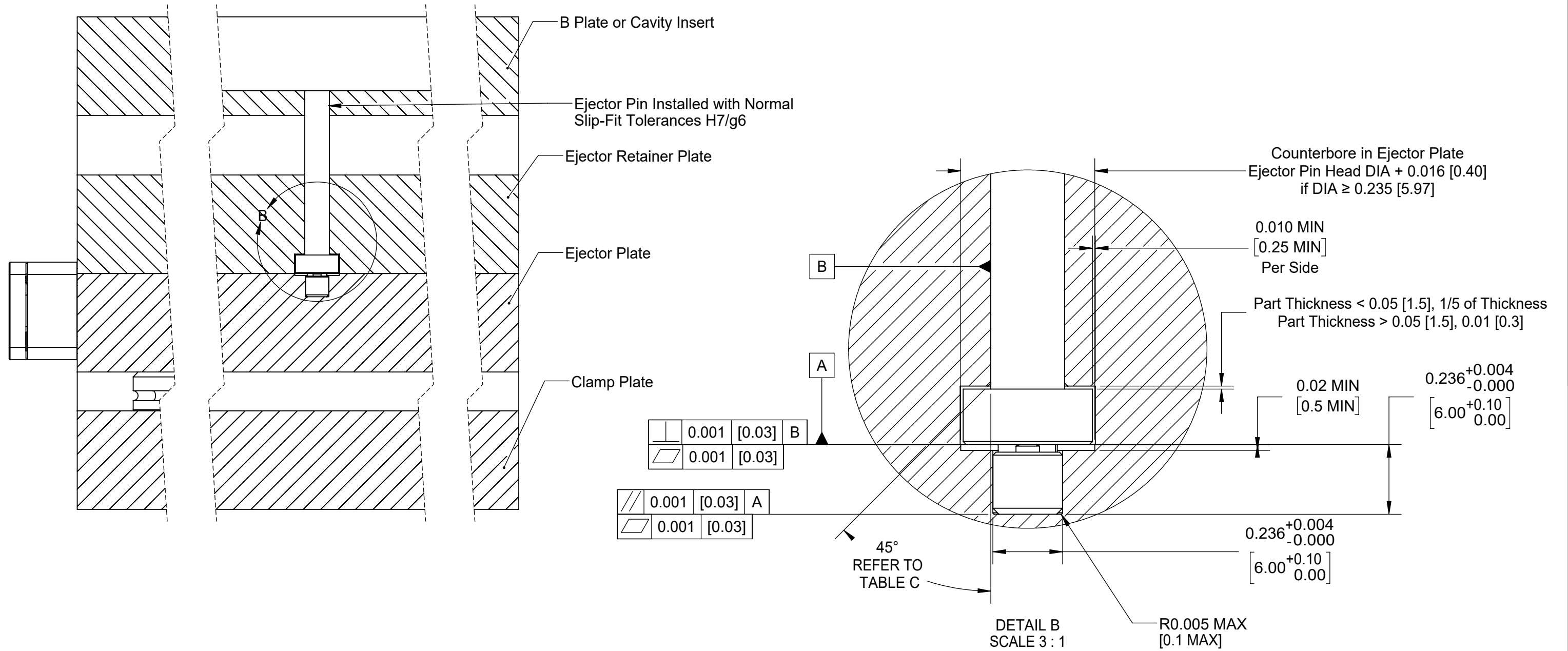


NOTES:

1. ENCLOSED EJECTOR BOX SUGGESTED.
2. DO NOT SCALE PRINT
3. BREAK ALL SHARP EDGES, 0.005 [0.03] R MAX
4. DIMENSIONS IN INCHES [MM], UNLESS NOTED
5. TOLERANCES UNLESS SPECIFIED:
 XXX = ± 0.003 [0.08]
 XX = ± 0.01 [0.3]
 ANGLES = $\pm 3^\circ$ 30°

 <p>3111 Park Street, Traverse City, MI 49686 231-944-2111 WWW.RJG.MI</p>	Description: MCSG-B-60-50/250 Sensor Installation
	Drawn: K.J.Brettschneider
	Design:
	Check: M.Groleau
Date: 10.23.2023	

Lynx™ 6 mm Multi-Channel Strain Gage (MCSG) Sensor Installation—Ejector Plate Installation

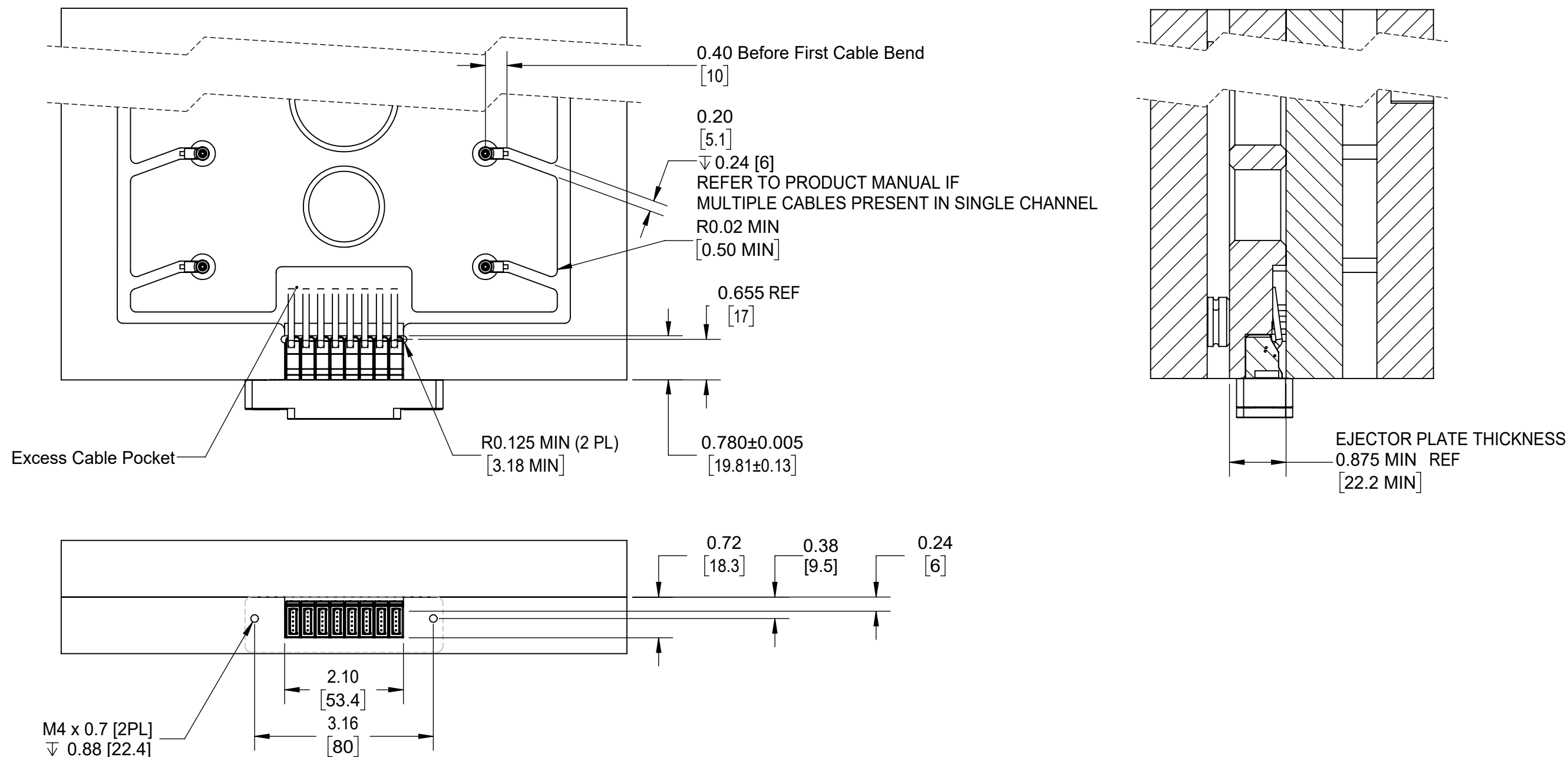


- NOTES:
1. ENCLOSED EJECTOR BOX SUGGESTED.
 2. DO NOT SCALE PRINT
 3. BREAK ALL SHARP EDGES, 0.005 [0.03] R MAX
 4. DIMENSIONS IN INCHES [MM], UNLESS NOTED
 5. TOLERANCES UNLESS SPECIFIED:
 XXX = ±0.003 [0.08]
 XX = ±0.01 [0.3]
 ANGLES = ±3° 30°

Ejector Pin Ø	Chamfer Length
0.04–0.08 [1.0–2.5]	0.01 [0.3]
0.10–0.20 [2.5–5.0]	0.02 [0.4]
0.24–0.40 [6.0–10.0]	0.025 [0.6]

 3111 Park Street, Traverse City, MI 49606 231-944-2111 www.rjg.com	Description: MCSG-B-60-50/250 Sensor Installation
	Drawn: K.J.Brettschneider
	Check: M.Groleau
	Date: 10.23.2023

Lynx™ 6 mm Multi-Channel Strain Gage (MCSG) Sensor Installation—Ejector Plate Installation

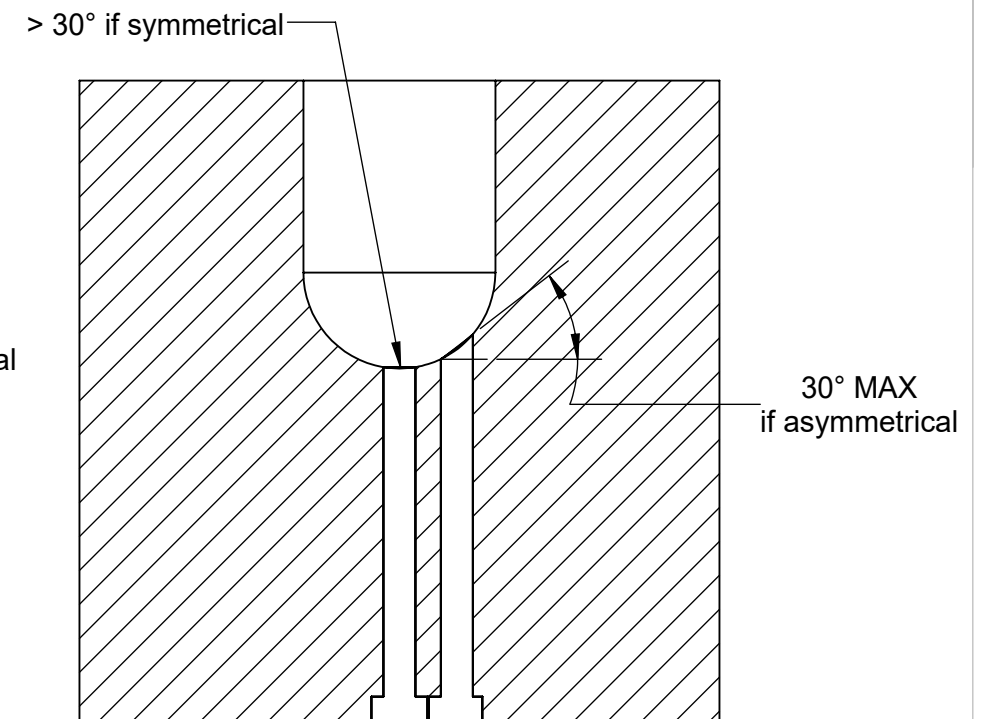
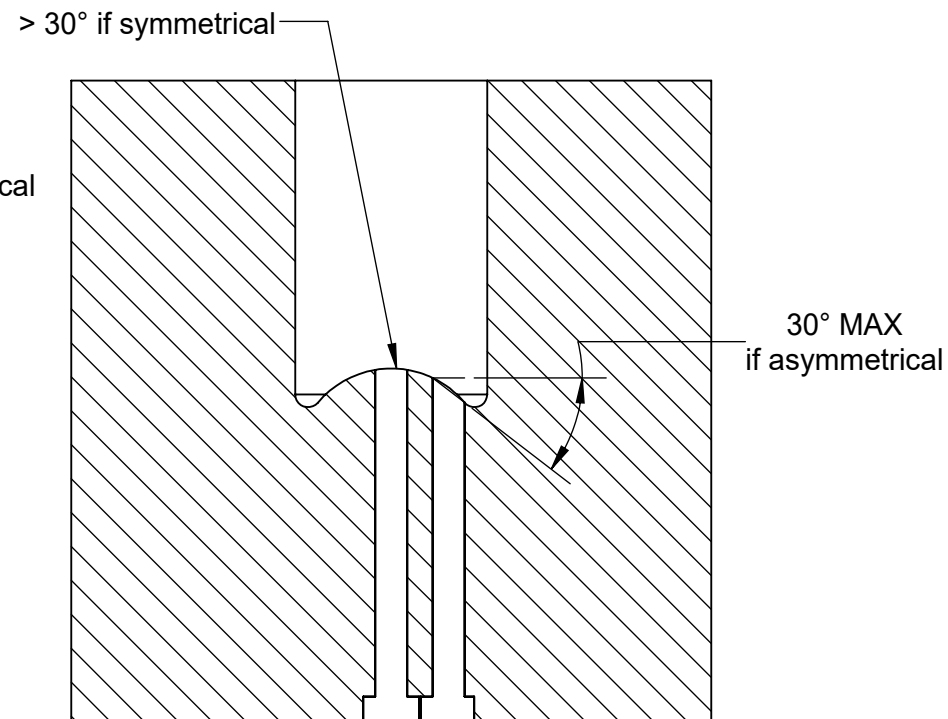
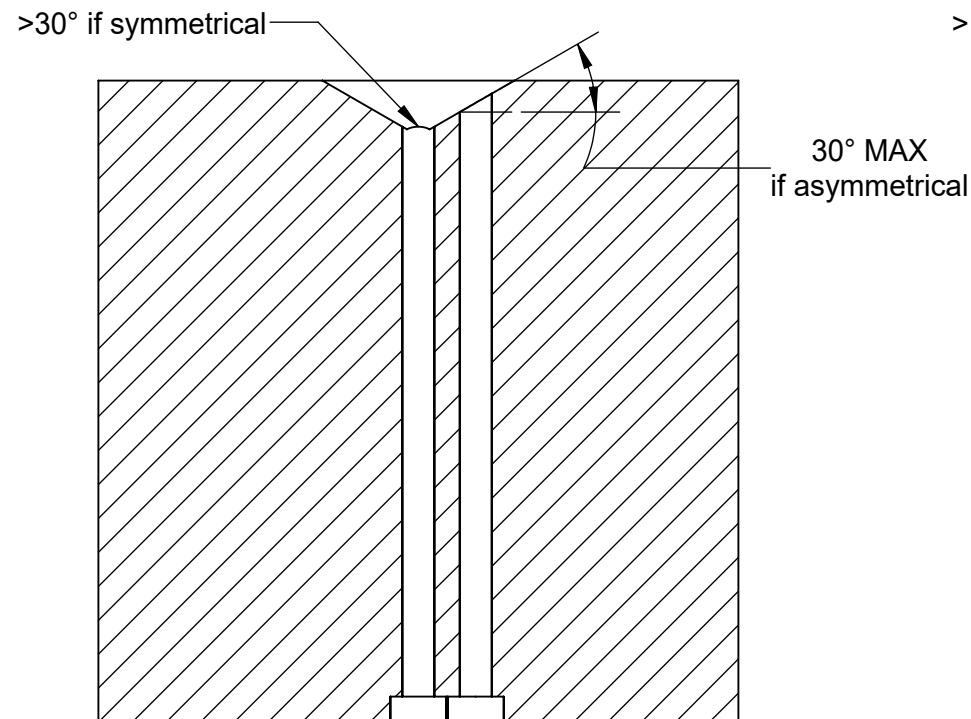
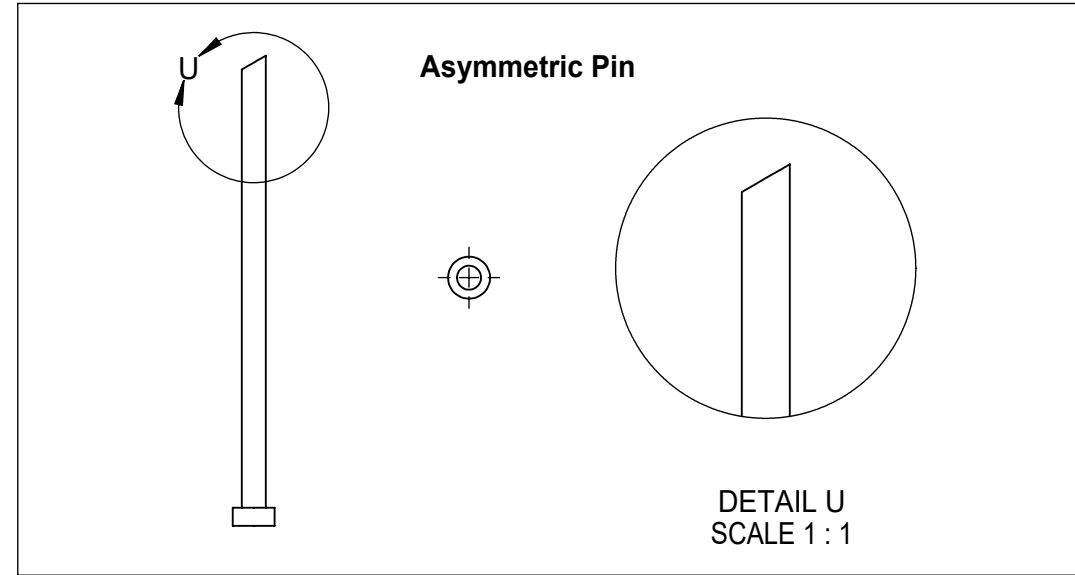
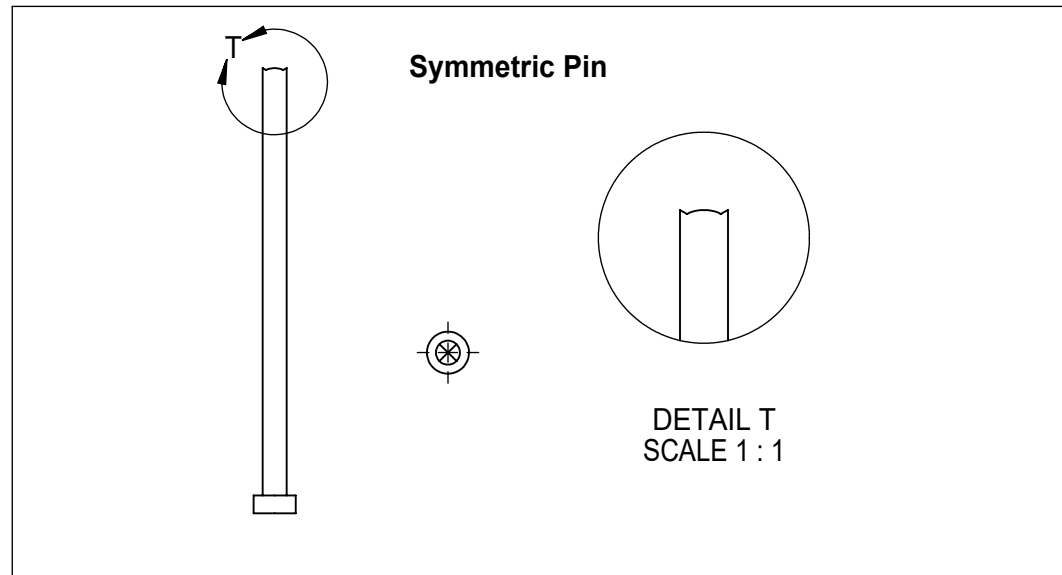


- NOTES:
1. ENCLOSED EJECTOR BOX SUGGESTED.
 2. DO NOT SCALE PRINT
 3. BREAK ALL SHARP EDGES, 0.005 [0.03] R MAX
 4. DIMENSIONS IN INCHES [MM], UNLESS NOTED
 5. TOLERANCES UNLESS SPECIFIED:
 XXX = ±0.003 [0.08]
 XX = ±0.01 [0.3]
 ANGLES = ±3° 30°


 <p>3111 Park Street, Traverse City, MI 49686 231-944-2111 www.rjg.com</p>	Description: MCSG-B-60-50/250 Sensor Installation
	Drawn: K.J.Brettschneider
	Design:
	Check: M.Groleau
Date: 10.23.2023	

MCSG-B-60-50/250 Sensor Installation—Contoured Pin Angle Specification

NOTE: Contoured/angled pins (asymmetric) not to exceed 30° MAX unless pin design is symmetrical to provide even, downward pressure across pin surface to loading of sensor. Contact RJG Customer Support for assistance in verification of contoured/angled pin use.



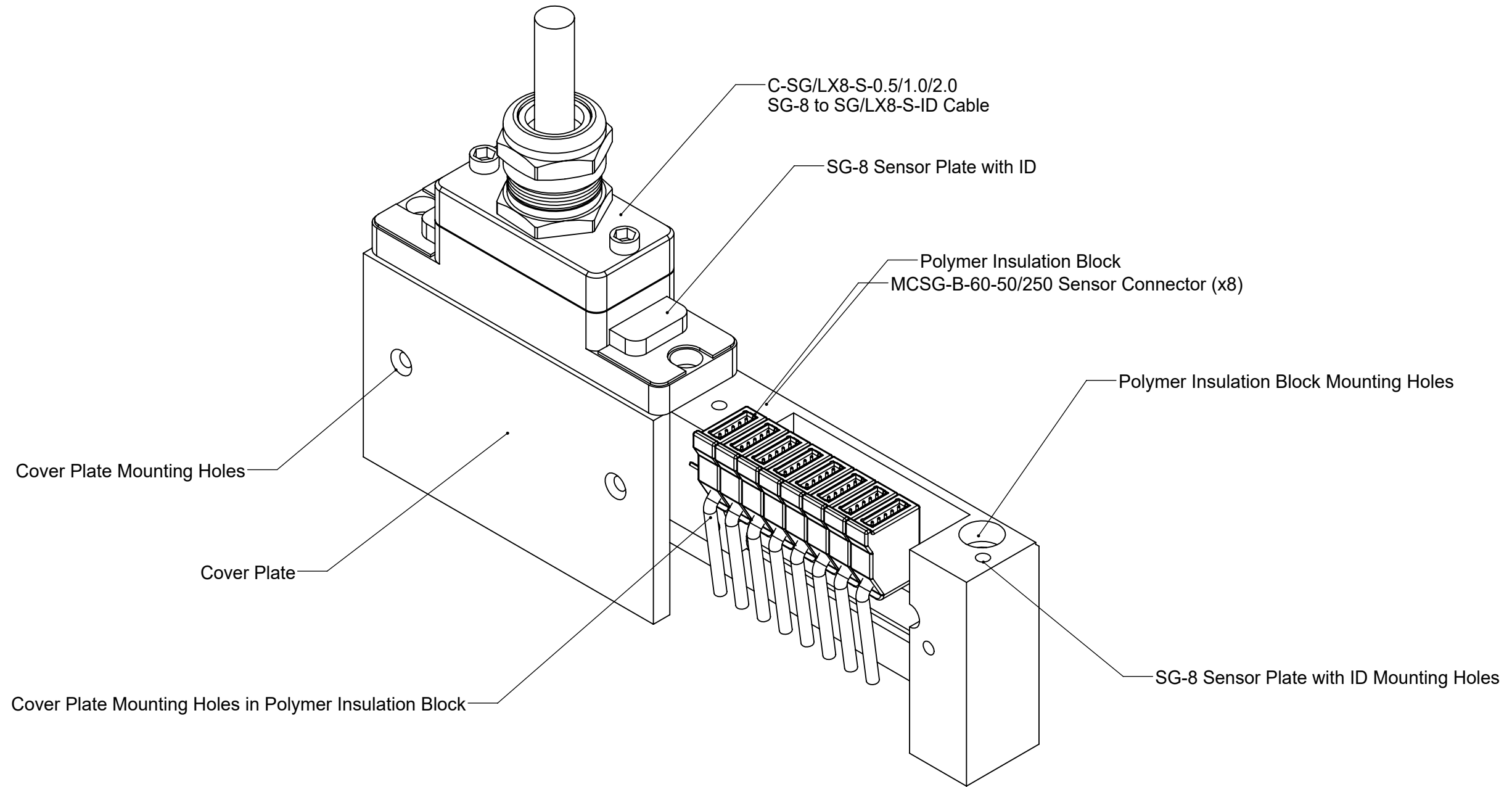
- NOTES:**
1. ENCLOSED EJECTOR BOX SUGGESTED.
 2. DO NOT SCALE PRINT
 3. BREAK ALL SHARP EDGES, 0.005 [0.03] R MAX
 4. DIMENSIONS IN INCHES [MM], UNLESS NOTED
 5. TOLERANCES UNLESS SPECIFIED:
 XXX = ±0.003 [0.08]
 XX = ±0.01 [0.3]
 ANGLES = ±3° 30°

 <small>3111 Park Street, Traverse City, MI 49606 231-944-2111 www.rjg.com</small>	Description: MCSG-B-60-50/250 Sensor Installation
	Drawn: K.J.Brettschneider
	Design: Check: M.Groleau
	Date: 10.23.2023


Drawing Title: MCSG-B-60-50/250-06

Multi-Channel Strain Gage Sensor (MCSG-B-60-50/250) Installation—High Temperature Installation

NOTE: The sensor electronics must be kept below 140 °F (60 °C) for all MCSG-B-60-50/250 sensor models. Refer to the drawing below as a guide; RJG does NOT provide polymer assembly pictured below—polymer assembly and design is responsibility of customer. Contact RJG Customer Support for assistance with high-temperature sensor protection designs.



- NOTES:
1. ENCLOSED EJECTOR BOX SUGGESTED.
 2. DO NOT SCALE PRINT
 3. BREAK ALL SHARP EDGES, 0.005 [0.03] R MAX
 4. DIMENSIONS IN INCHES [MM], UNLESS NOTED
 5. TOLERANCES UNLESS SPECIFIED:
 XXX = ±0.003 [0.08]
 XX = ±0.01 [0.3]
 ANGLES = ±3° 30°

 <p>3111 Park Street, Traverse City, MI 49606 231-944-2111 www.rjg.com</p>	Description: 9204 Sensor Installation
	Drawn: K.J.Brettschneider
	Design:
	Check: M.Groleau
Date: 10.23.2023	