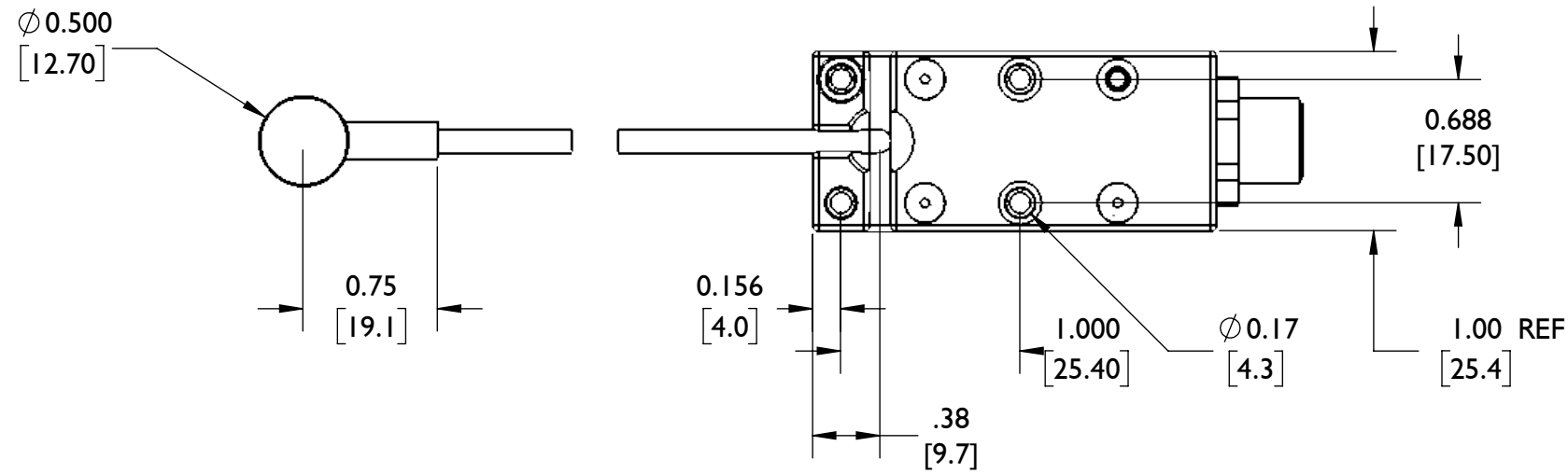
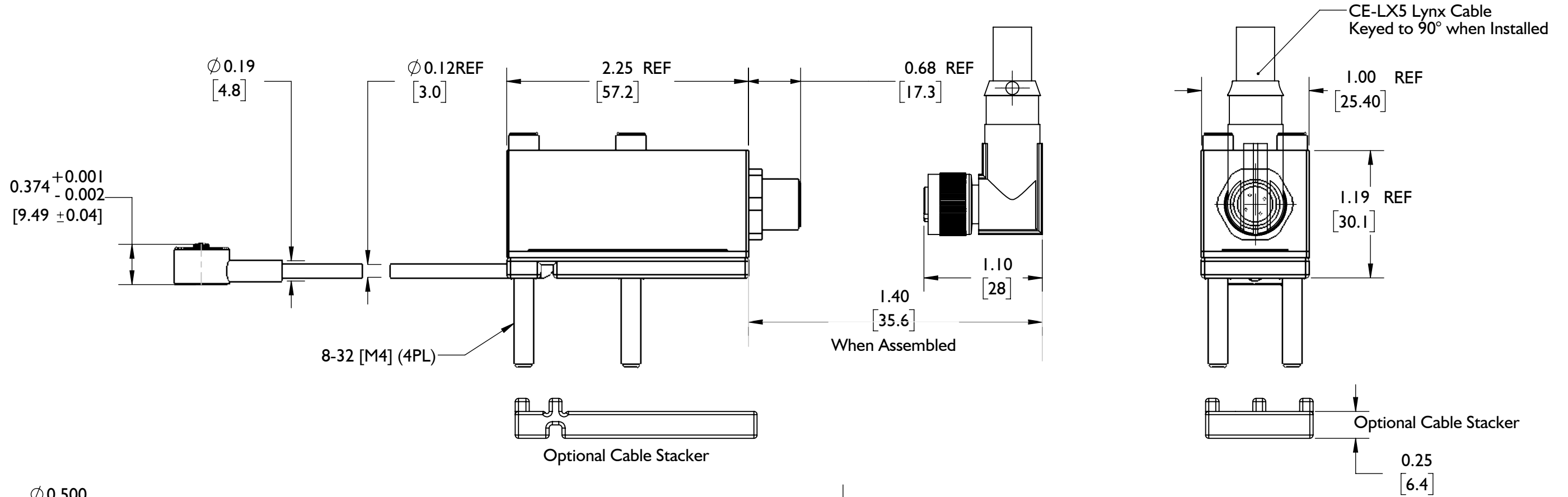
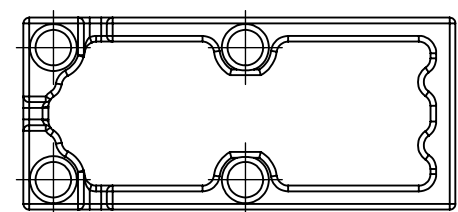


LS-B-127-XXXX Single-Channel Sensor Installation—Sensor and Optional Cable Stacker Dimensions



CABLE STACKERS	SCREW LENGTH	CABLE STORED
1	1.75 [45.0]	6.00" [152.4]
2	2.00 [50.0]	12.00" [304.8]
3	2.25 [57.0]	18.00" [457.2]
4	2.50 [64.0]	24.00" [609.6]



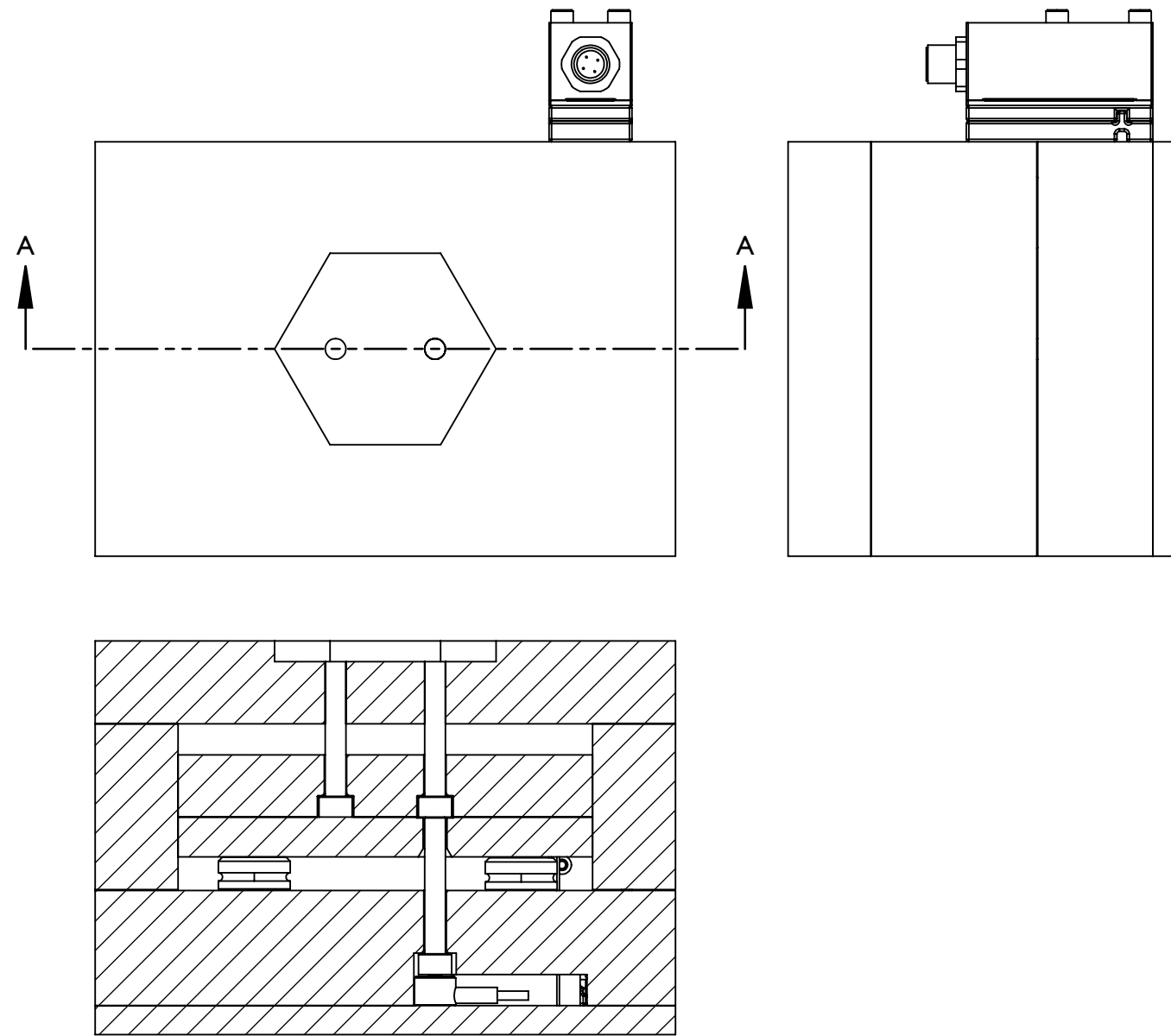
Optional Cable Stacker accomodates up to 4.0" [101.6] of extra cable.

- NOTES:
1. CLAMP PLATE APPLICATIONS REQUIRE GUIDED EJECTION
 2. EJECTOR AND TRANSFER PIN CONCENTRICITY MUST BE WITHIN 0.030" [0.76] OR 10% OF EJECTOR PIN DIA, WHICHEVER IS SMALLER.
 3. ENCLOSED EJECTOR BOX SUGGESTED.
 4. DO NOT SCALE PRINT
 5. BREAK ALL SHARP EDGES, 0.005 [0.03] R MAX
 6. DIMENSIONS IN INCHES [MM], UNLESS NOTED
 7. TOLERANCES UNLESS SPECIFIED:
 XXX = ±0.003 [0.08]
 XX = ±0.01 [0.3]
 ANGLES = ±3° 30°

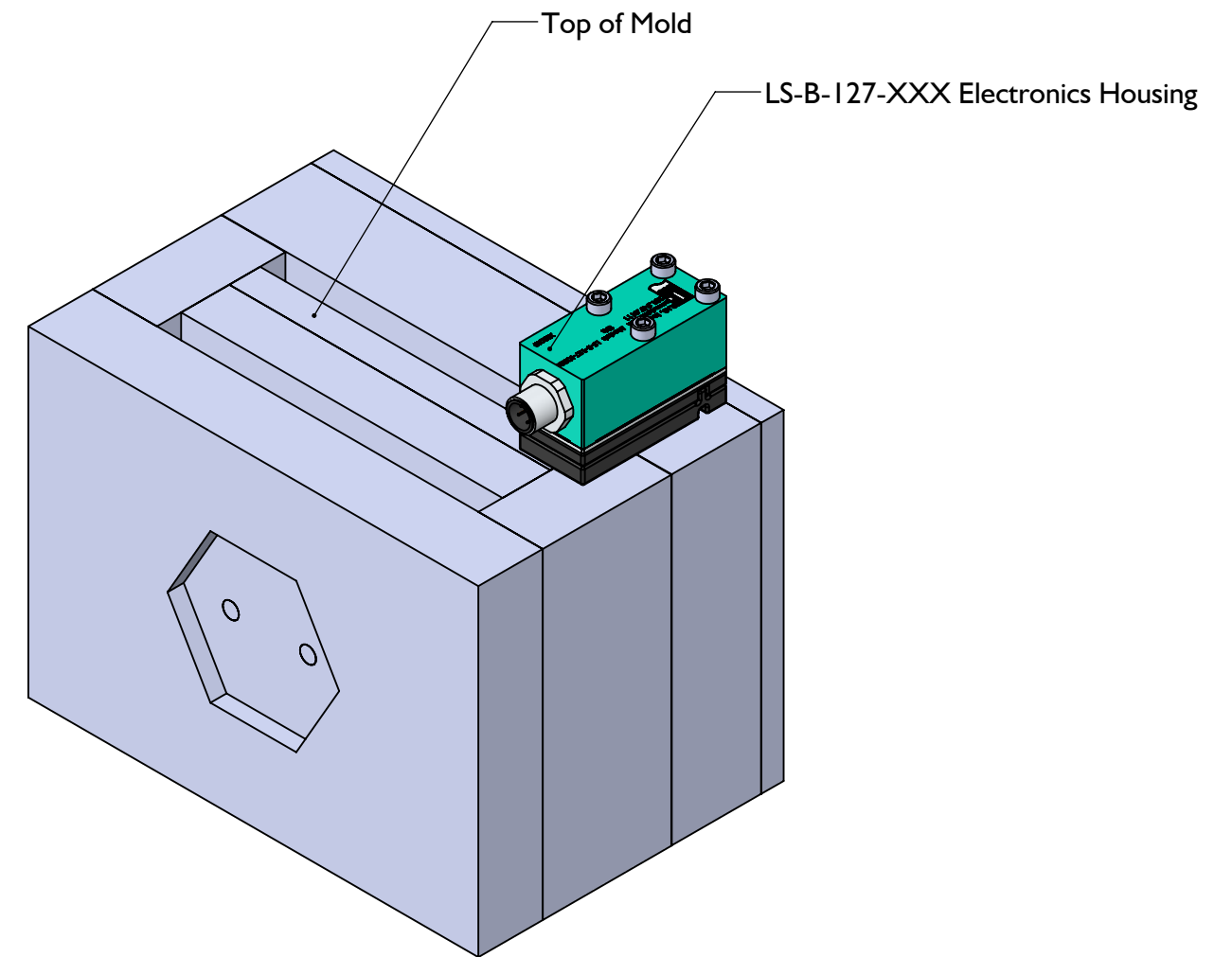
<p>RJG, Inc. 3111 Park Drive 231-947-3111 www.rjginc.com</p>	Description: LS-B-127-XXXX Sensor Dimensions
	Drawn: K.J.Brettschneider
	Check: M.Groleau
	Date: 07.21.2022

LS-B-127-XXXX Single-Channel Sensor Installation—Clamp Plate Installation

CLAMP PLATE INSTALLATION FOR PINS $\leq \varnothing 0.25$ [7.0]; PINS $> \varnothing 0.25$ [7.0] USE HEAD-TO-HEAD INSTALLATION ON SHEET LS-B-127-XXXX-04 & -05.



SECTION A-A
SCALE 1 : 2



NOTES:

1. CLAMP PLATE APPLICATIONS REQUIRE GUIDED EJECTION
2. EJECTOR AND TRANSFER PIN CONCENTRICITY MUST BE WITHIN 0.030° [0.76] OR 10% OF EJECTOR PIN DIA, WHICHEVER IS SMALLER.
3. ENCLOSED EJECTOR BOX SUGGESTED.
4. DO NOT SCALE PRINT
5. BREAK ALL SHARP EDGES, 0.005 [0.03] R MAX
6. DIMENSIONS IN INCHES [MM], UNLESS NOTED
7. TOLERANCES UNLESS SPECIFIED:
 XXX = ± 0.003 [0.08]
 XX = ± 0.01 [0.3]
 ANGLES = $\pm 3^\circ 30'$

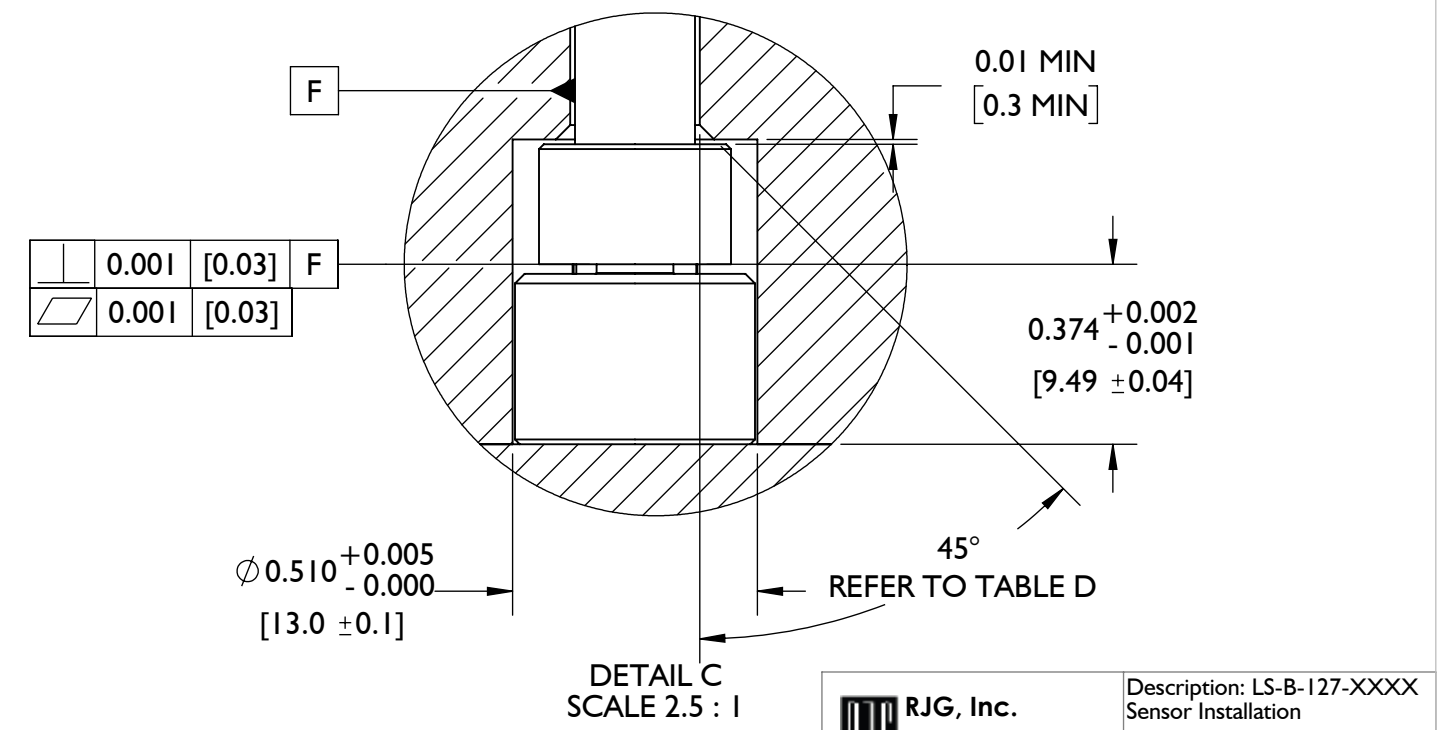
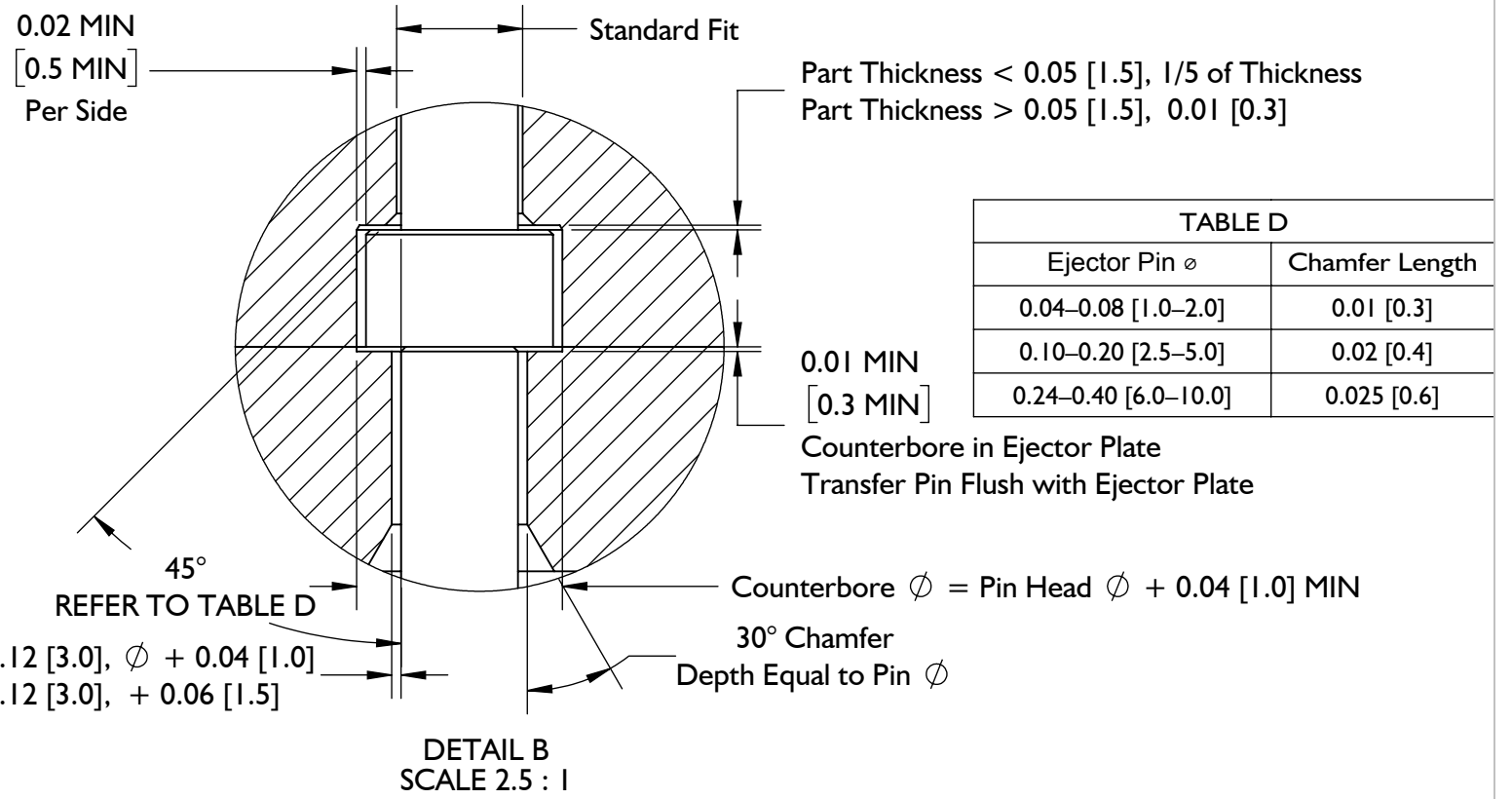
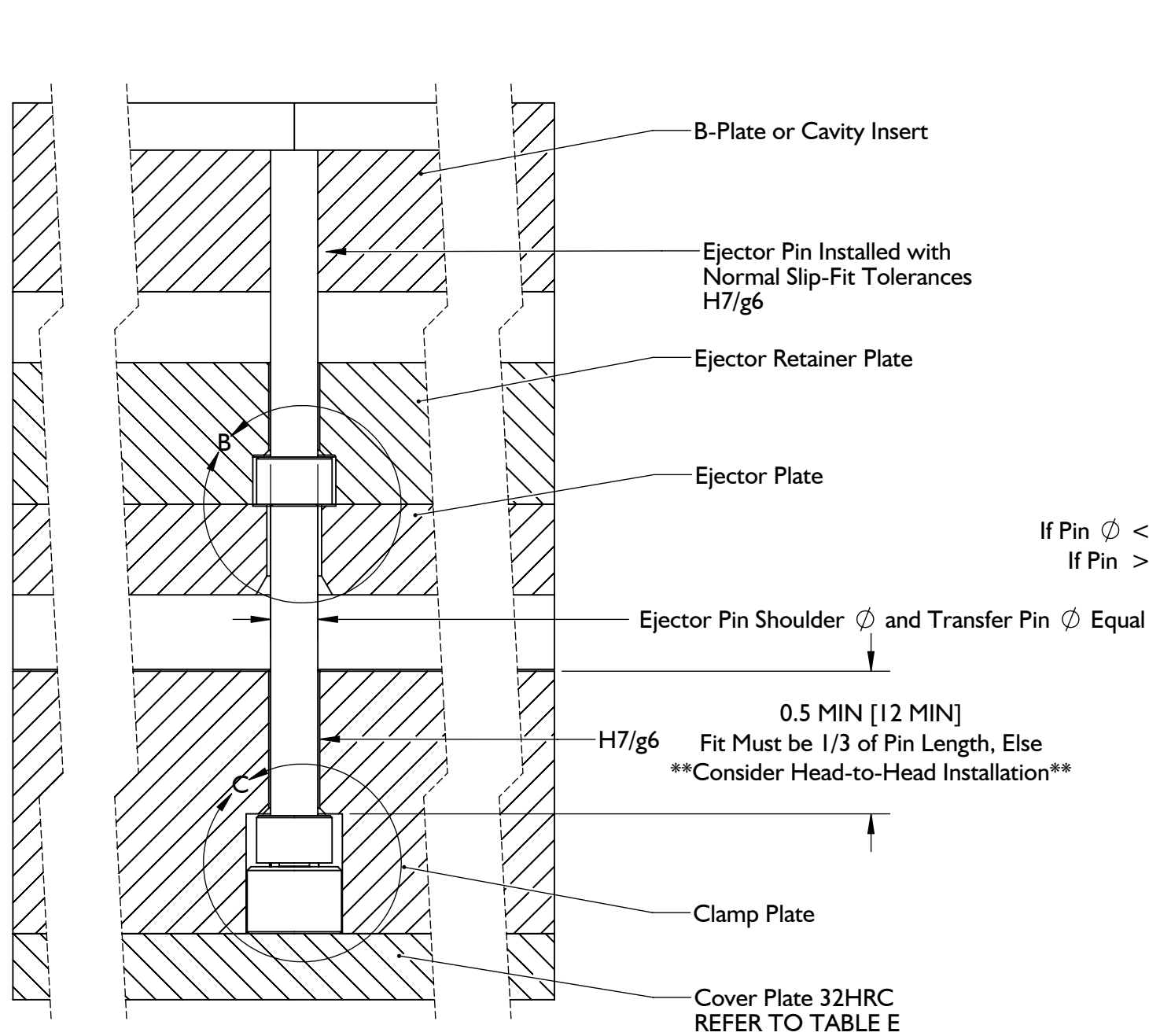


RJG, Inc.
 3111 Park Drive
 231-947-3111
 www.rjginc.com

Description: LS-B-127-XXXX
 Sensor Installation
 Drawn: K.J.Brettschneider
 Design:
 Check: M.Groleau
 Date: 07.21.2022

LS-B-127-XXXX Single-Channel Sensor Installation—Clamp Plate Installation

CLAMP PLATE INSTALLATION FOR PINS $\leq \phi 0.25$ [7.0]; PINS $> \phi 0.25$ [7.0] USE HEAD-TO-HEAD INSTALLATION ON SHEET LS-B-127-XXXX-04 & -05.



- NOTES:
1. CLAMP PLATE APPLICATIONS REQUIRE GUIDED EJECTION EJECTOR AND TRANSFER PIN CONCENTRICITY MUST BE WITHIN 0.030° [0.76] OR 10% OF EJECTOR PIN DIA, WHICHEVER IS SMALLER.
 2. ENCLOSED EJECTOR BOX SUGGESTED.
 3. DO NOT SCALE PRINT
 4. BREAK ALL SHARP EDGES, 0.005 [0.03] R MAX
 5. DIMENSIONS IN INCHES [MM], UNLESS NOTED
 6. TOLERANCES UNLESS SPECIFIED:
XXX = ± 0.003 [0.08]
XX = ± 0.01 [0.3]
ANGLES = $\pm 3^\circ 30'$

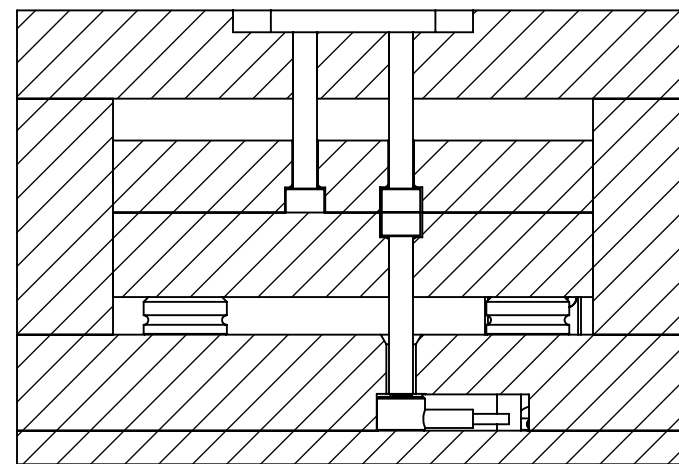
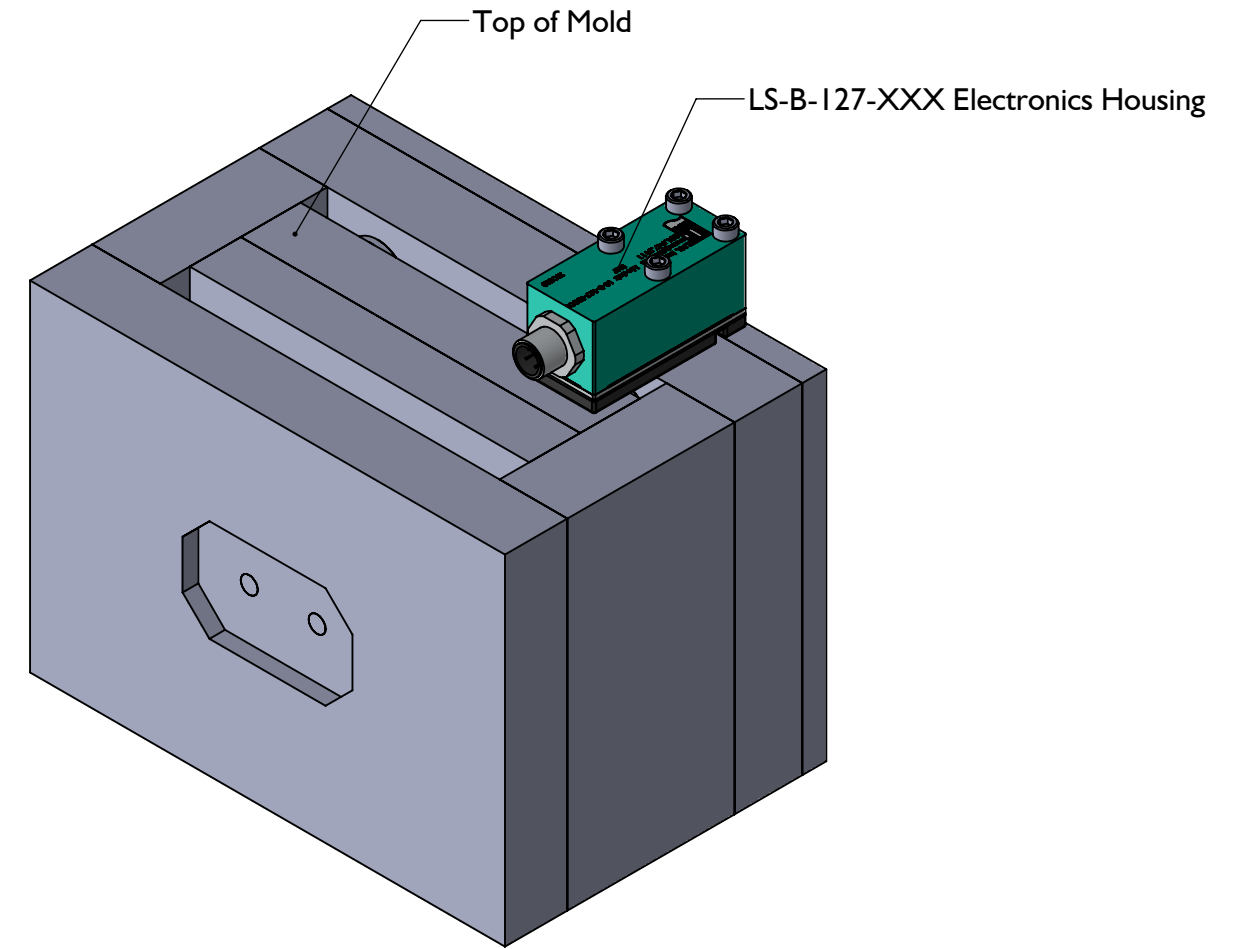
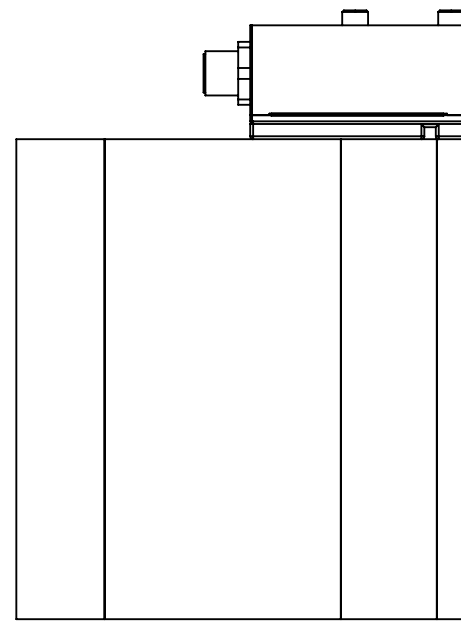
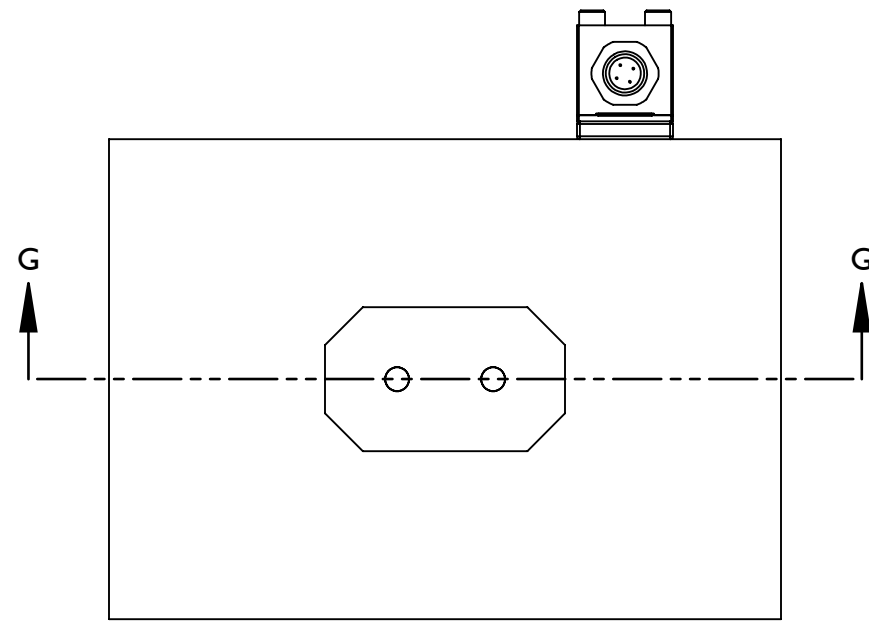
TABLE E	
Sensor Model	MIN Plate Thickness
LS-B-127-50	0.2 [5]
LS-B-127-125	0.2 [5]
LS-B-127-500	0.25 [6.0]
LS-B-127-2000	0.25 [6.0]

Refer to Product Manual for Cover Plate Alternatives

	RJG, Inc.	Description: LS-B-127-XXXX Sensor Installation
	3111 Park Drive	Drawn: K.J.Brettschneider
	231-947-3111	Design:
	www.rjginc.com	Check: M.Groleau
		Date: 07.21.2022

LS-B-I27-XXXX Single-Channel Sensor Installation—Head-to-Head Installation

CLAMP PLATE INSTALLATION FOR PINS $\leq \varnothing 0.25$ [7.0]; PINS $> \varnothing 0.25$ [7.0] USE HEAD-TO-HEAD INSTALLATION.



SECTION G-G

NOTES:

1. CLAMP PLATE APPLICATIONS REQUIRE GUIDED EJECTION
2. EJECTOR AND TRANSFER PIN CONCENTRICITY MUST BE WITHIN 0.030" [0.76] OR 10% OF EJECTOR PIN DIA, WHICHEVER IS SMALLER.
3. ENCLOSED EJECTOR BOX SUGGESTED.
4. DO NOT SCALE PRINT
5. BREAK ALL SHARP EDGES, 0.005 [0.03] R MAX
6. DIMENSIONS IN INCHES [MM], UNLESS NOTED
7. TOLERANCES UNLESS SPECIFIED:
 XXX = ± 0.003 [0.08]
 XX = ± 0.01 [0.3]
 ANGLES = $\pm 3^\circ 30'$

RJG, Inc.
 3111 Park Drive
 231-947-3111
 www.rjginc.com

Description: LS-B-I27-XXXX
 Sensor Installation
 Drawn: K.J.Brettschneider
 Design:
 Check: M.Groleau
 Date: 07.21.2022

LS-B-127-XXXX Single-Channel Sensor Installation—Head-to-Head Installation

CLAMP PLATE INSTALLATION FOR PINS $\leq \varnothing 0.25$ [7.0]; PINS $> \varnothing 0.25$ [7.0] USE HEAD-TO-HEAD INSTALLATION.

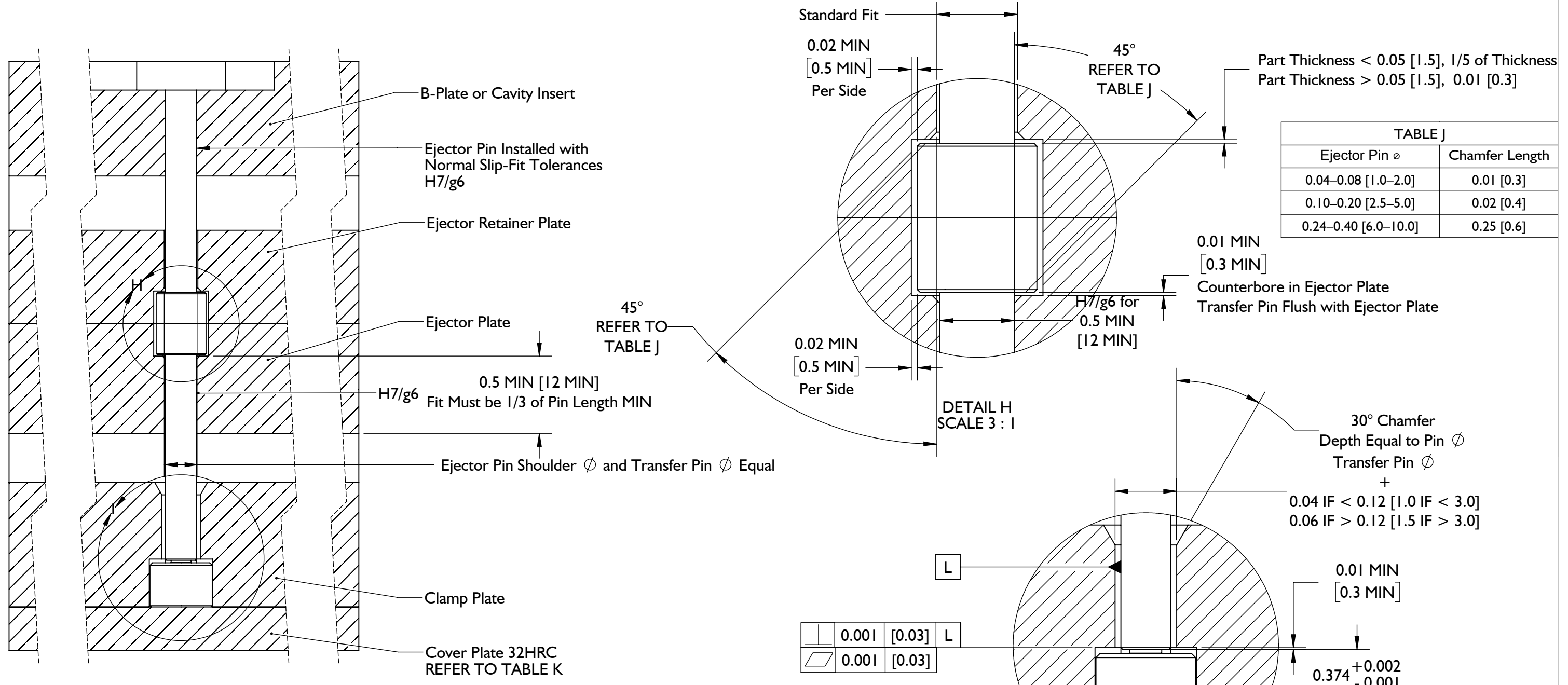


TABLE K

Sensor Model	MIN Plate Thickness
LS-B-127-50	0.2 [5]
LS-B-127-125	0.2 [5]
LS-B-127-500	0.25 [6.0]
LS-B-127-2000	0.25 [6.0]

Refer to Product Manual for Cover Plate Alternatives

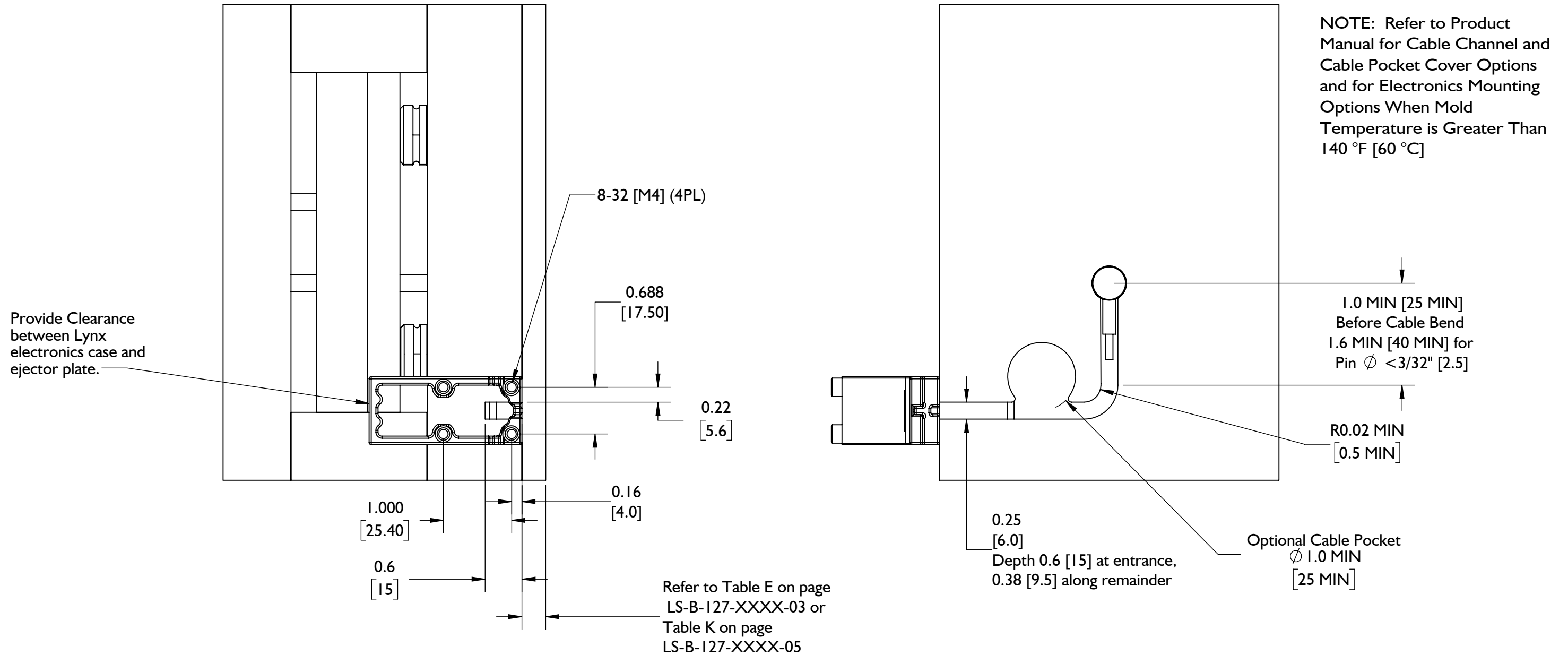
- NOTES:
- CLAMP PLATE APPLICATIONS REQUIRE GUIDED EJECTION
 - EJECTOR AND TRANSFER PIN CONCENTRICITY MUST BE WITHIN 0.030" [0.76] OR 10% OF EJECTOR PIN DIA, WHICHEVER IS SMALLER.
 - ENCLOSED EJECTOR BOX SUGGESTED.
 - DO NOT SCALE PRINT
 - BREAK ALL SHARP EDGES, 0.005 [0.03] R MAX
 - DIMENSIONS IN INCHES [MM], UNLESS NOTED
 - TOLERANCES UNLESS SPECIFIED:
 XXX = ± 0.003 [0.08]
 XX = ± 0.01 [0.3]
 ANGLES = $\pm 3^\circ 30'$

RJG, Inc.
 3111 Park Drive
 231-947-3111
 www.rjginc.com


Description: LS-B-127-XXXX Sensor Installation
 Drawn: K.J.Brettschneider
 Design:
 Check: M.Groleau
 Date: 07.21.2022

LS-B-127-XXXX Single-Channel Sensor Installation—Clamp Plate/Head-to-Head Installation

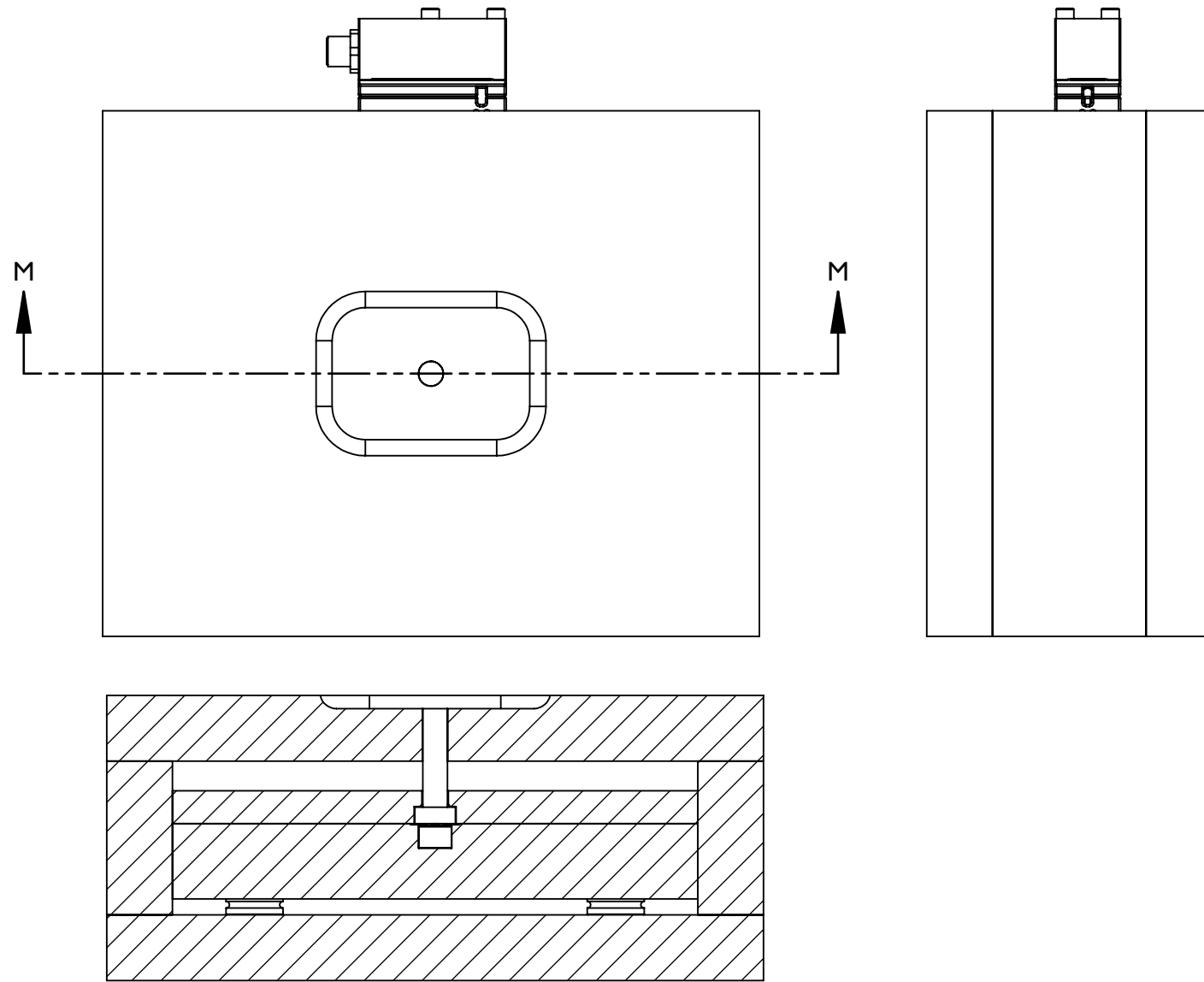
NOTE: Lynx sensor electronics case mounted in the orientation as shown to allow access to the Lynx cable connection.
Refer to Product Manual for alternate electronics case mounting options.



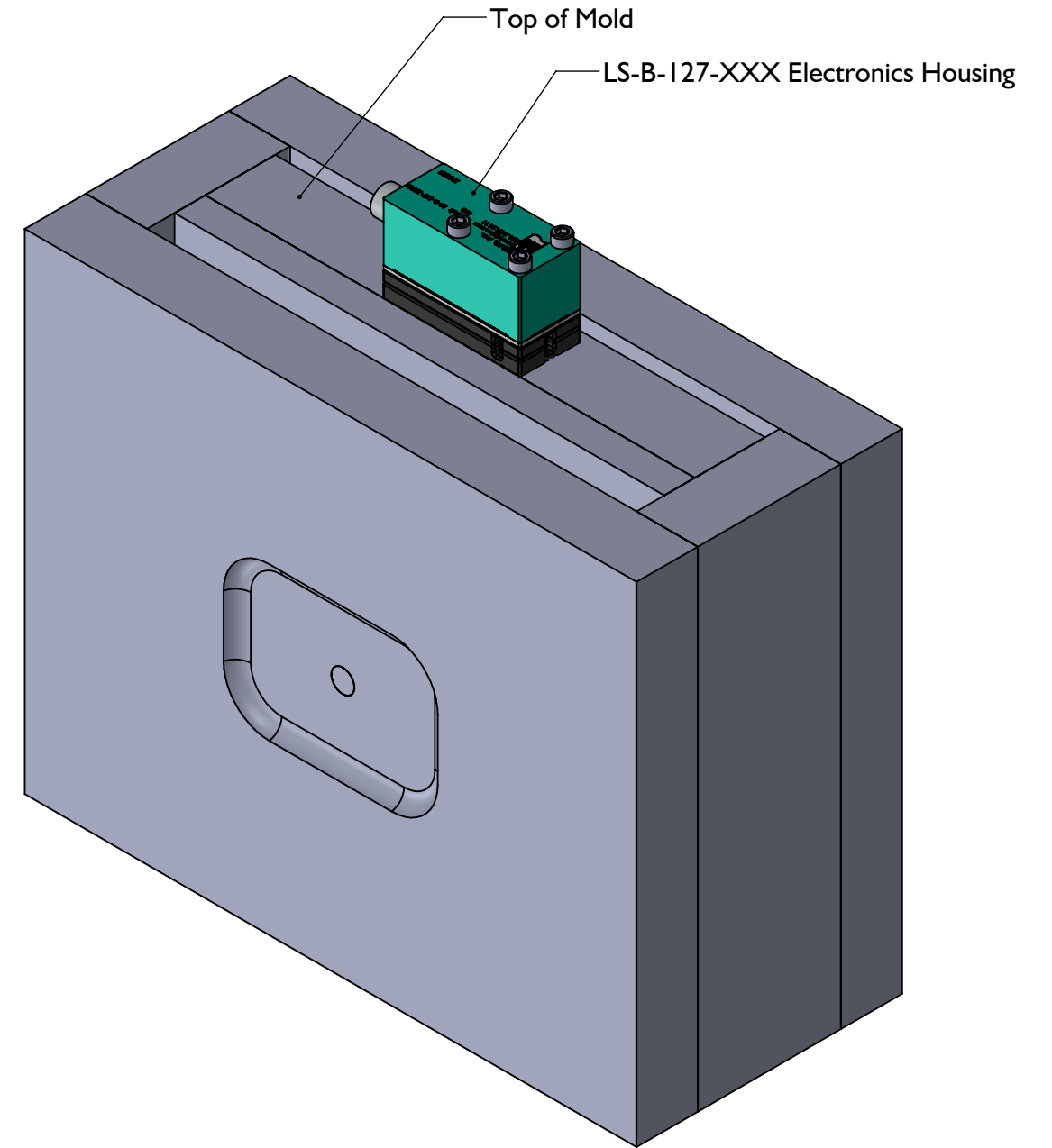
- NOTES:
1. CLAMP PLATE APPLICATIONS REQUIRE GUIDED EJECTION
 2. EJECTOR AND TRANSFER PIN CONCENTRICITY MUST BE WITHIN 0.030" [0.76] OR 10% OF EJECTOR PIN DIA, WHICHEVER IS SMALLER.
 3. ENCLOSED EJECTOR BOX SUGGESTED.
 4. DO NOT SCALE PRINT
 5. BREAK ALL SHARP EDGES, 0.005 [0.03] R MAX
 6. DIMENSIONS IN INCHES [MM], UNLESS NOTED
 7. TOLERANCES UNLESS SPECIFIED:
 XXX = ± 0.003 [0.08]
 XX = ± 0.01 [0.3]
 ANGLES = $\pm 3^\circ$ 30°

 RJG, Inc. 3111 Park Drive 231-947-3111 www.rjginc.com	Description: LS-B-127-XXXX Sensor Installation
	Drawn: K.J.Brettschneider
	Check: M.Groleau
	Date: 07.21.2022

LS-B-127-XXXX Single-Channel Sensor Installation—Ejector Plate Installation



SECTION M-M
SCALE 1 : 2.5



NOTES:

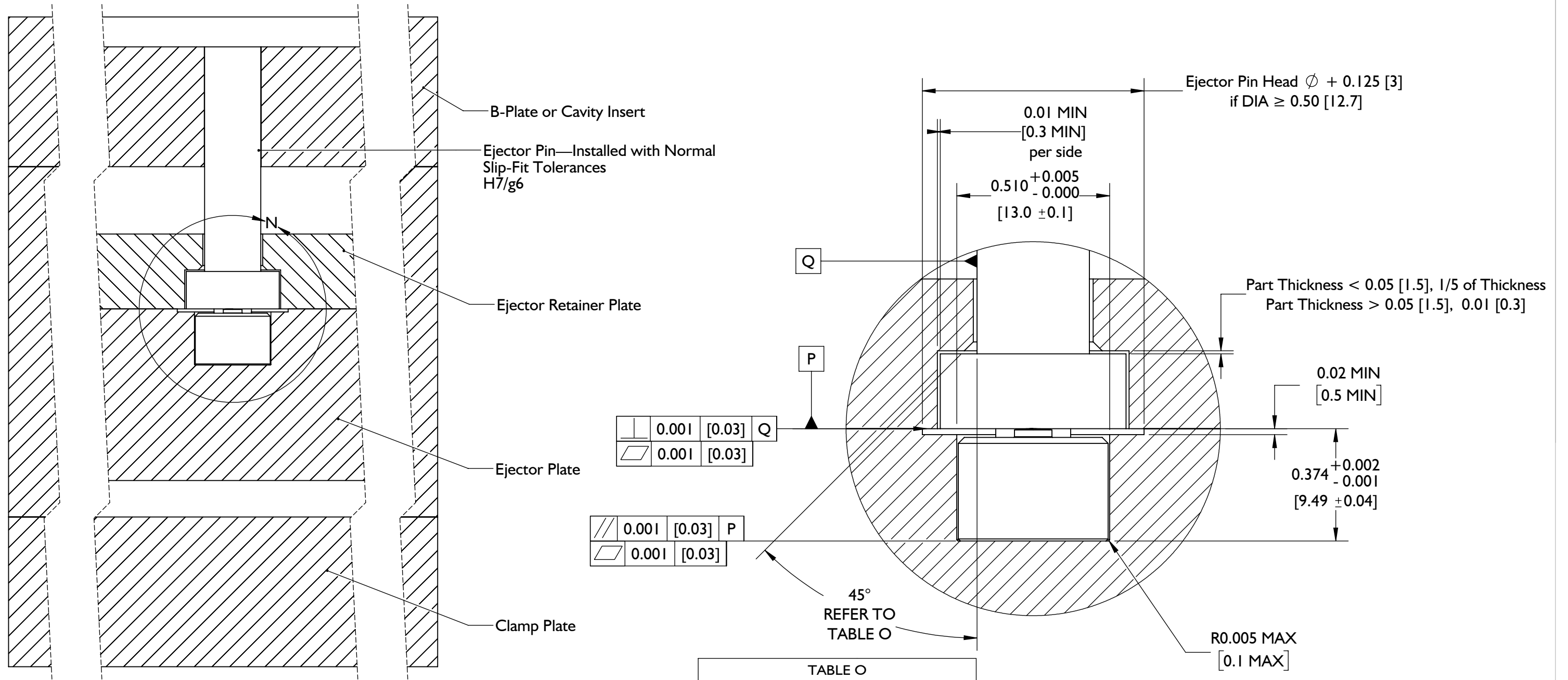
1. EJECTOR PIN AND SENSOR CONCENTRICITY MUST BE WITHIN 0.030" [0.76] OR 10% OF EJECTOR PIN DIA, WHICHEVER IS SMALLER.
2. DO NOT SCALE PRINT
3. BREAK ALL SHARP EDGES, 0.005 [0.03] R MAX
4. DIMENSIONS IN INCHES [MM], UNLESS NOTED
5. TOLERANCES UNLESS SPECIFIED:
 XXX = ±0.003 [0.08]
 XX = ±0.01 [0.3]
 ANGLES = ±3° 30°



RJG, Inc.
 3111 Park Drive
 231-947-3111
 www.rjginc.com

Description: LS-B-127-XXXX
 Sensor Installation
 Drawn: K.J.Brettschneider
 Design:
 Check: M.Groleau
 Date: 07.21.2022

LS-B-127-XXXX Single-Channel Sensor Installation—Ejector Plate Installation



	0.001	[0.03]	Q
	0.001	[0.03]	

	0.001	[0.03]	P
	0.001	[0.03]	

Ejector Pin ϕ	Chamfer Length
0.04–0.08 [1.0–2.0]	0.01 [0.3]
0.10–0.20 [2.5–5.0]	0.02 [0.4]
0.24–0.40 [6.0–10.0]	0.25 [0.6]

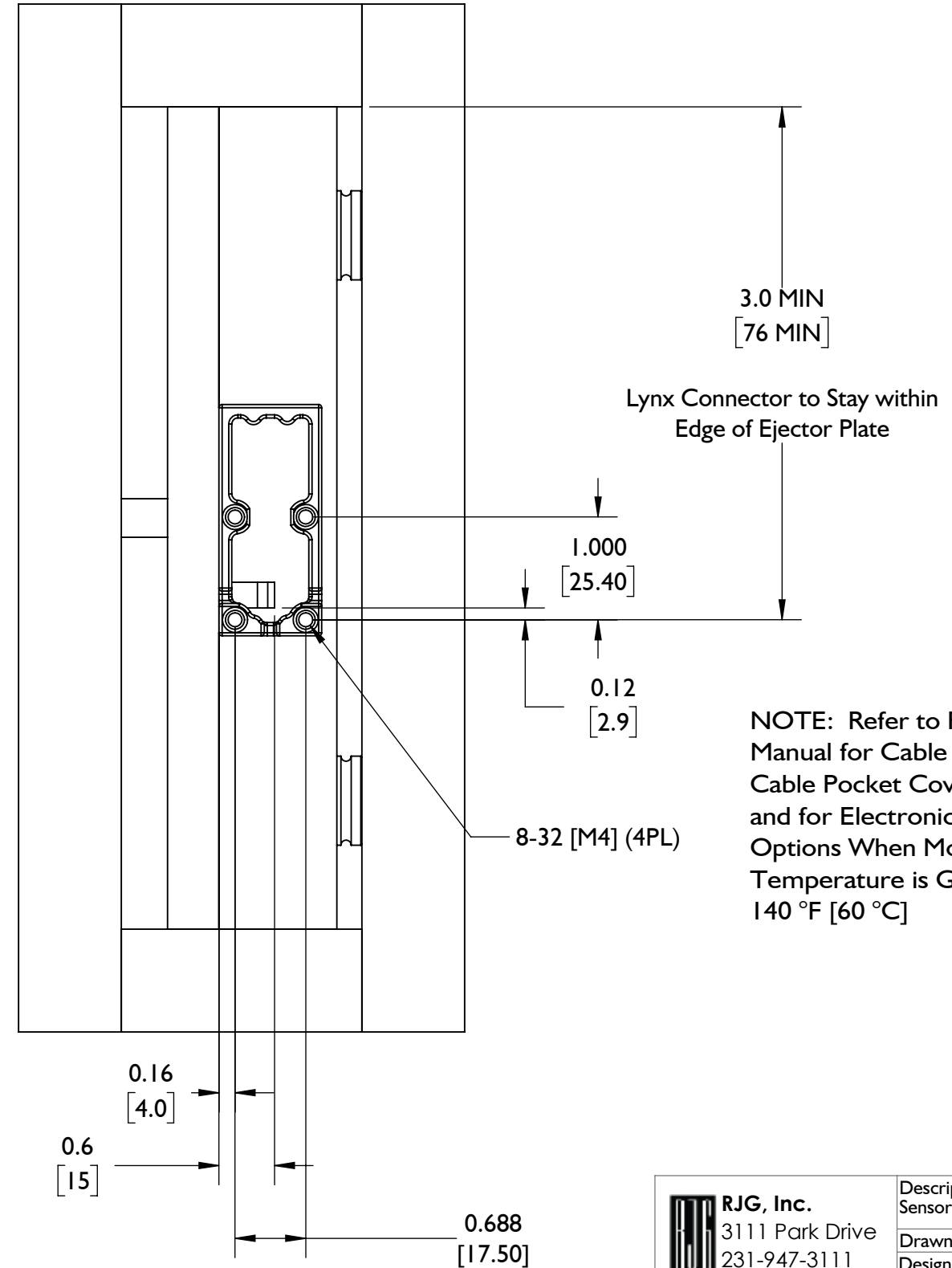
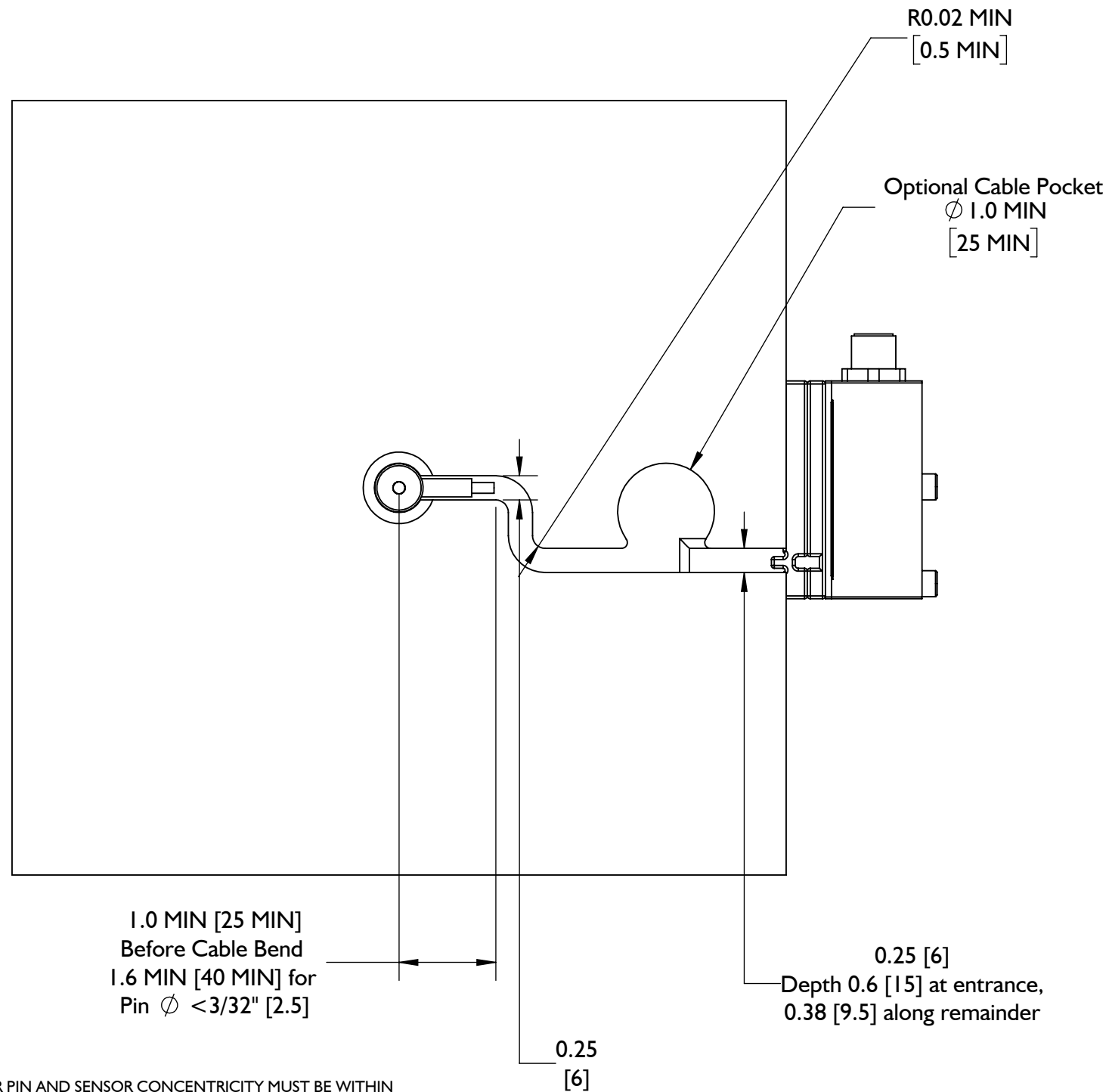
DETAIL N
SCALE 3 : 1

- NOTES:
- EJECTOR PIN AND SENSOR CONCENTRICITY MUST BE WITHIN 0.030" [0.76] OR 10% OF EJECTOR PIN DIA, WHICHEVER IS SMALLER.
 - DO NOT SCALE PRINT
 - BREAK ALL SHARP EDGES, 0.005 [0.03] R MAX
 - DIMENSIONS IN INCHES [MM], UNLESS NOTED
 - TOLERANCES UNLESS SPECIFIED:
 XXX = $\pm 0.003 [0.08]$
 XX = $\pm 0.01 [0.3]$
 ANGLES = $\pm 3^\circ 30'$

	RJG, Inc. 3111 Park Drive 231-947-3111 www.rjginc.com	Description: LS-B-127-XXXX Sensor Installation
	Drawn: K.J.Brettschneider	Design:
	Check: M.Groleau	Date: 07.21.2022

LS-B-127-XXXX Single-Channel Sensor Installation—Ejector Plate Installation

NOTE: Lynx sensor electronics case mounted in the orientation as shown to prevent damage to components.



NOTE: Refer to Product Manual for Cable Channel and Cable Pocket Cover Options and for Electronics Mounting Options When Mold Temperature is Greater Than 140 °F [60 °C]

NOTES:

1. EJECTOR PIN AND SENSOR CONCENTRICITY MUST BE WITHIN 0.030" [0.76] OR 10% OF EJECTOR PIN DIA, WHICHEVER IS SMALLER.
2. DO NOT SCALE PRINT
3. BREAK ALL SHARP EDGES, 0.005 [0.03] R MAX
4. DIMENSIONS IN INCHES [MM], UNLESS NOTED
5. TOLERANCES UNLESS SPECIFIED:
 XXX = ±0.003 [0.08]
 XX = ±0.01 [0.3]
 ANGLES = ±3° 30'

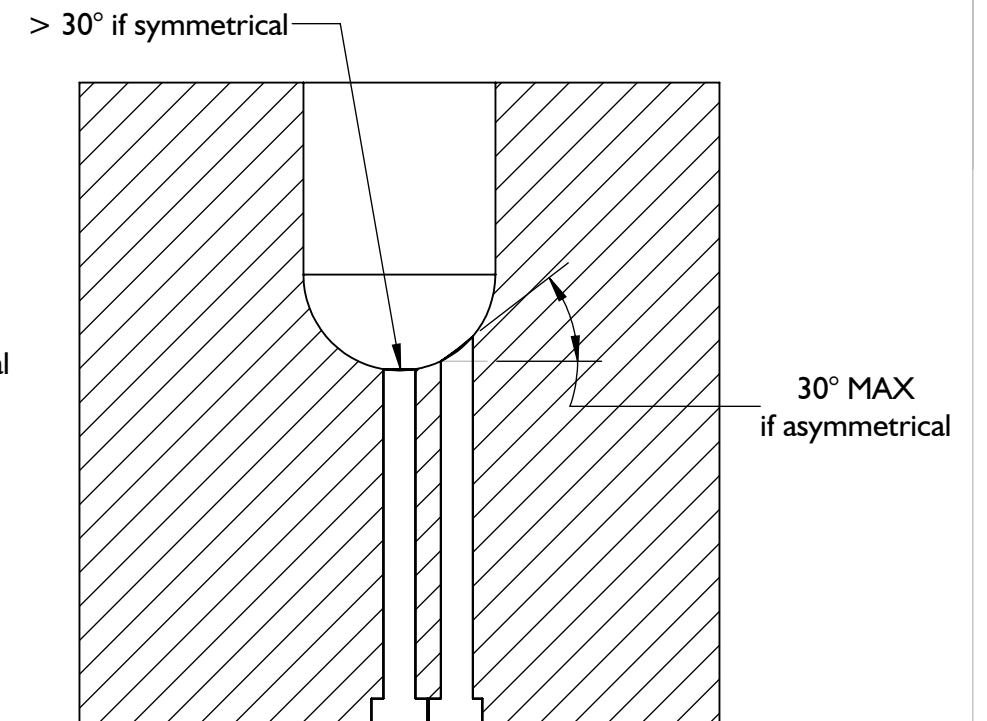
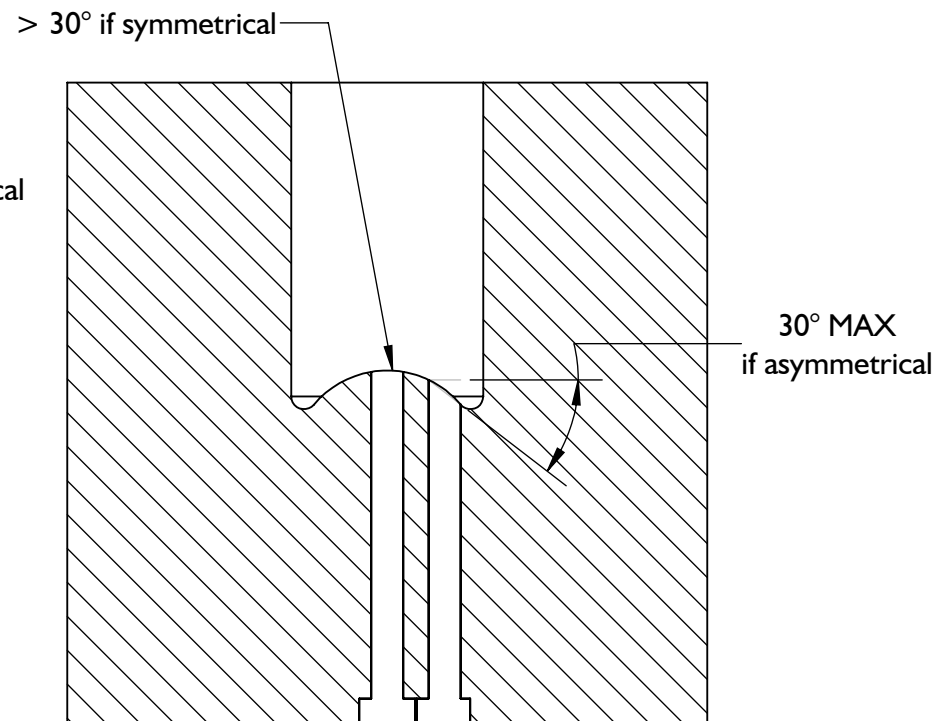
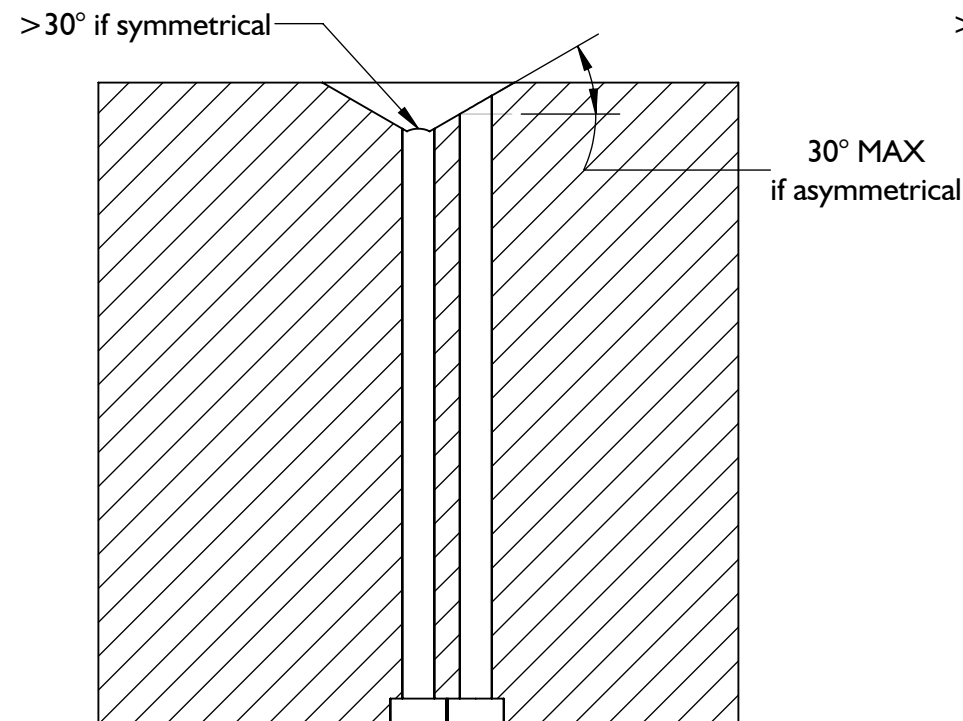
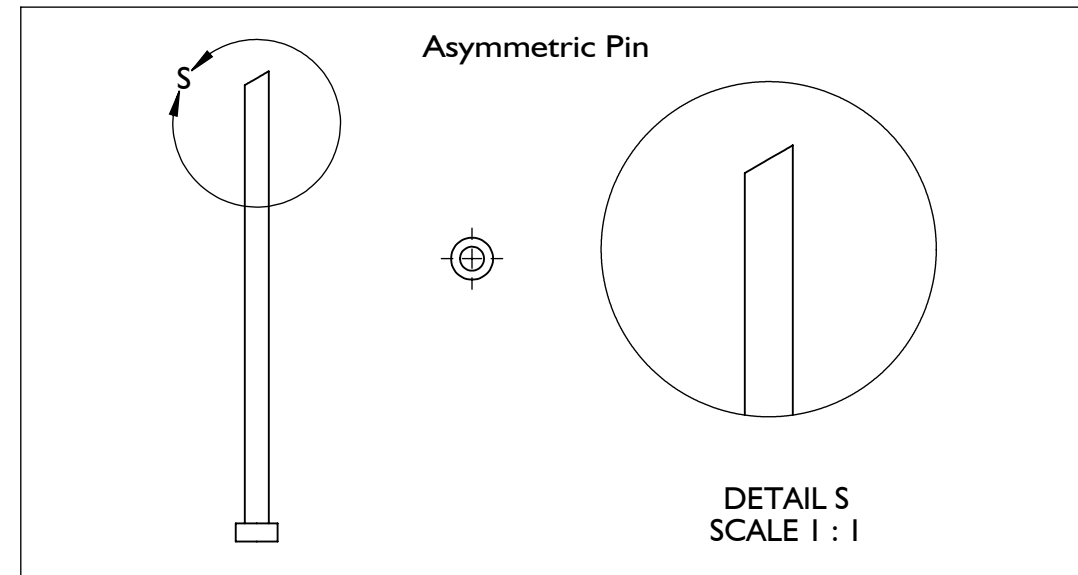
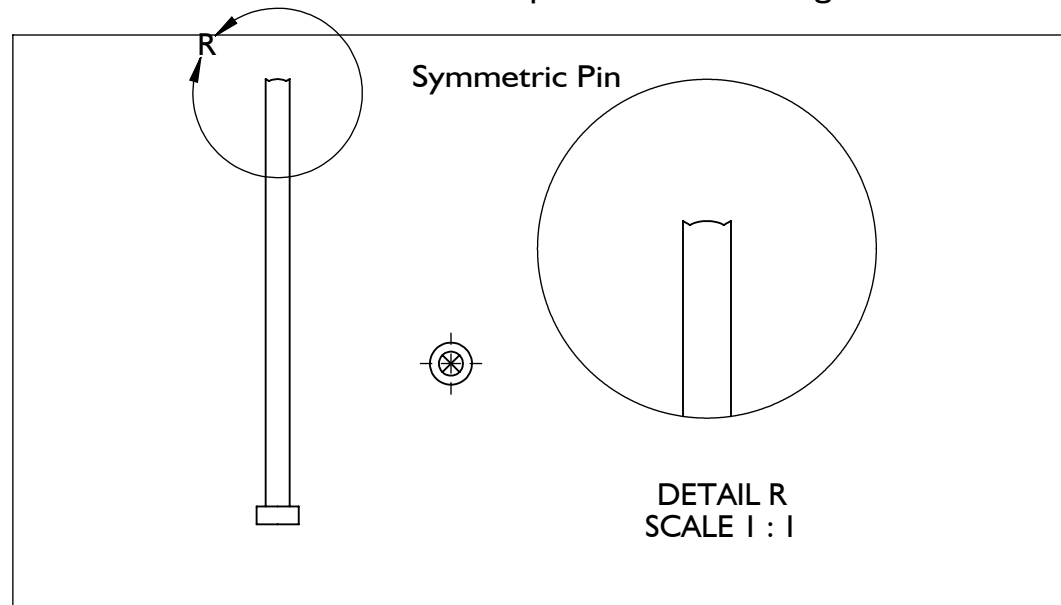


RJG, Inc.
 3111 Park Drive
 231-947-3111
 www.rjginc.com


Description: LS-B-127-XXXX
 Sensor Installation
 Drawn: K.J.Brettschneider
 Design:
 Check: M.Groleau
 Date: 07.21.2022

LS-B-127-XXXX Sensor Installation—Contoured Pin Angle Specification

NOTE: Contoured/angled pins (asymmetric) not to exceed 30° MAX unless pin design is symmetrical to provide even, downward pressure across pin surface to loading of sensor. Contact RJG Customer Support for assistance in verification of contoured/angled pin use.

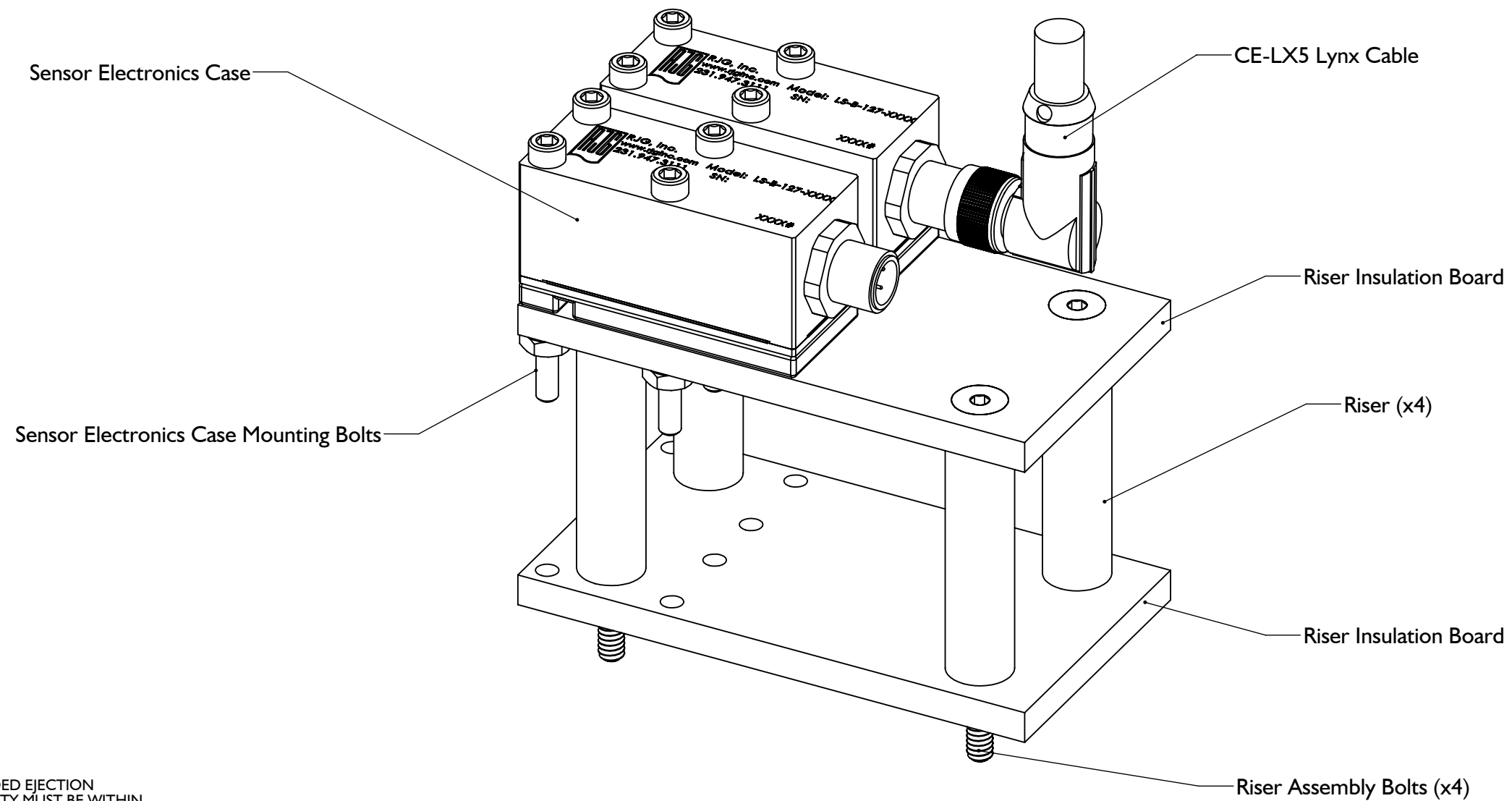


- NOTES:
1. CLAMP PLATE APPLICATIONS REQUIRE GUIDED EJECTION
 2. EJECTOR AND TRANSFER PIN CONCENTRICITY MUST BE WITHIN 0.030" [0.76] OR 10% OF EJECTOR PIN DIA, WHICHEVER IS SMALLER.
 3. ENCLOSED EJECTOR BOX SUGGESTED.
 4. DO NOT SCALE PRINT
 5. BREAK ALL SHARP EDGES, 0.005 [0.03] R MAX
 6. DIMENSIONS IN INCHES [MM], UNLESS NOTED
 7. TOLERANCES UNLESS SPECIFIED:
 XXX = ±0.003 [0.08]
 XX = ±0.01 [0.3]
 ANGLES = ±3° 30°

 RJG, Inc. 3111 Park Drive 231-947-3111 www.rjginc.com	Description: LS-B-127-XXXX Sensor Installation
	Drawn: K.J.Brettschneider
	Check: M.Groleau
	Date: 07.21.2022

LS-B-127-XXXX-H Sensor Installation—Sensor Electronics Housing Installation for High Temperatures

NOTE: The sensor electronics housing must be kept below 140 °F (60 °C) for all LS-B-127-XXXX and LS-B-127-XXXX-H sensor models. Refer to the drawing below as a guide; RJG does NOT provide riser assembly pictured below—riser assembly and design is responsibility of customer. Contact RJG Customer Support for assistance with high-temperature sensor electronics housing protection designs.



NOTES:

1. CLAMP PLATE APPLICATIONS REQUIRE GUIDED EJECTION
2. EJECTOR AND TRANSFER PIN CONCENTRICITY MUST BE WITHIN 0.030" [0.76] OR 10% OF EJECTOR PIN DIA, WHICHEVER IS SMALLER.
3. ENCLOSED EJECTOR BOX SUGGESTED.
4. DO NOT SCALE PRINT
5. BREAK ALL SHARP EDGES, 0.005 [0.03] R MAX
6. DIMENSIONS IN INCHES [MM], UNLESS NOTED
7. TOLERANCES UNLESS SPECIFIED:
 XXX = ±0.003 [0.08]
 XX = ±0.01 [0.3]
 ANGLES = ±3° 30°

RJG, Inc.
 3111 Park Drive
 231-947-3111
 www.rjginc.com

Description: LS-B-127-XXXX
 Sensor Installation
 Drawn: K.J.Brettschneider
 Design:
 Check: M.Groleau
 Date: 07.21.2022