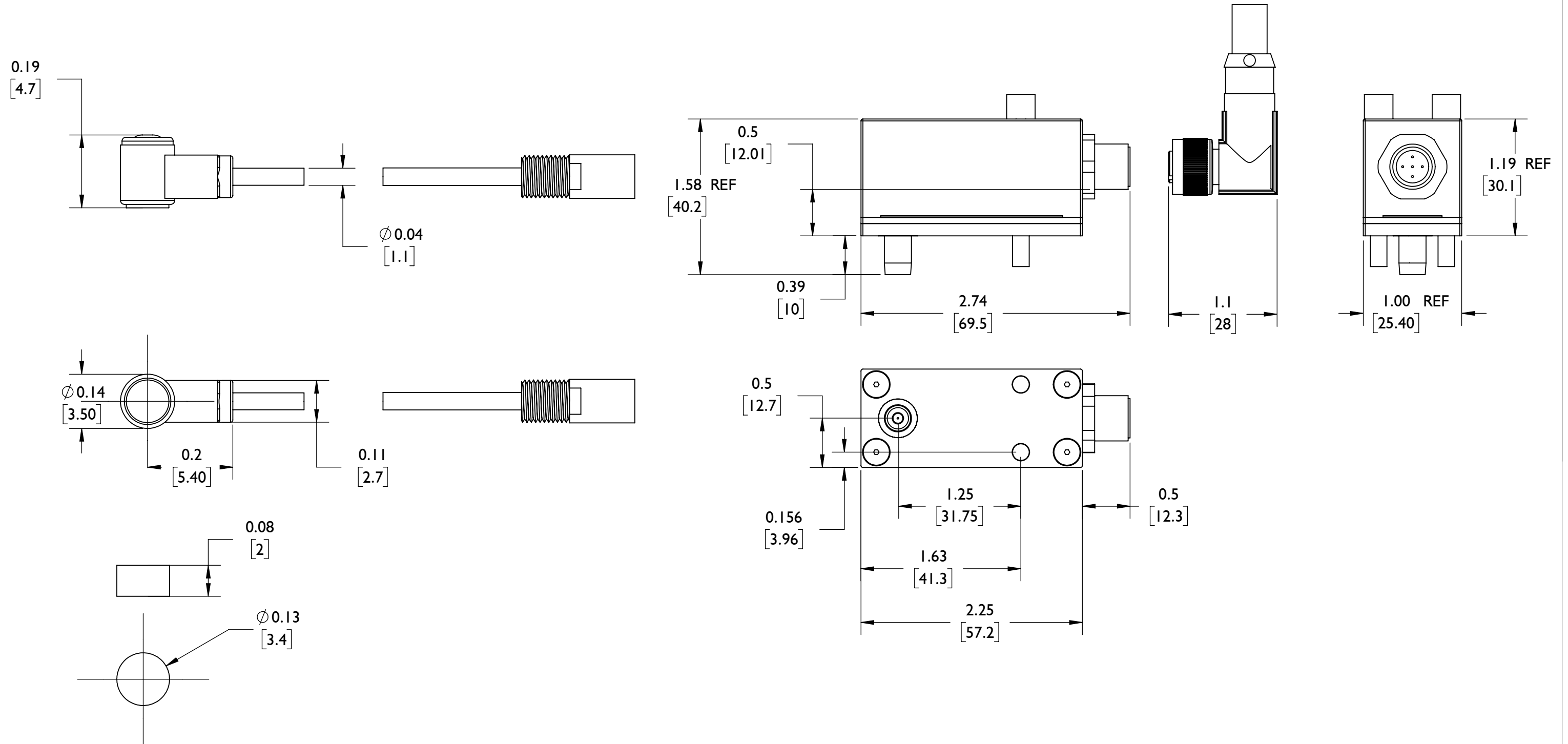



Drawing Title: 9210-01

Single- or Mutli-Channel 3.5 mm Piezoelectric Sensor (9210) Dimensions

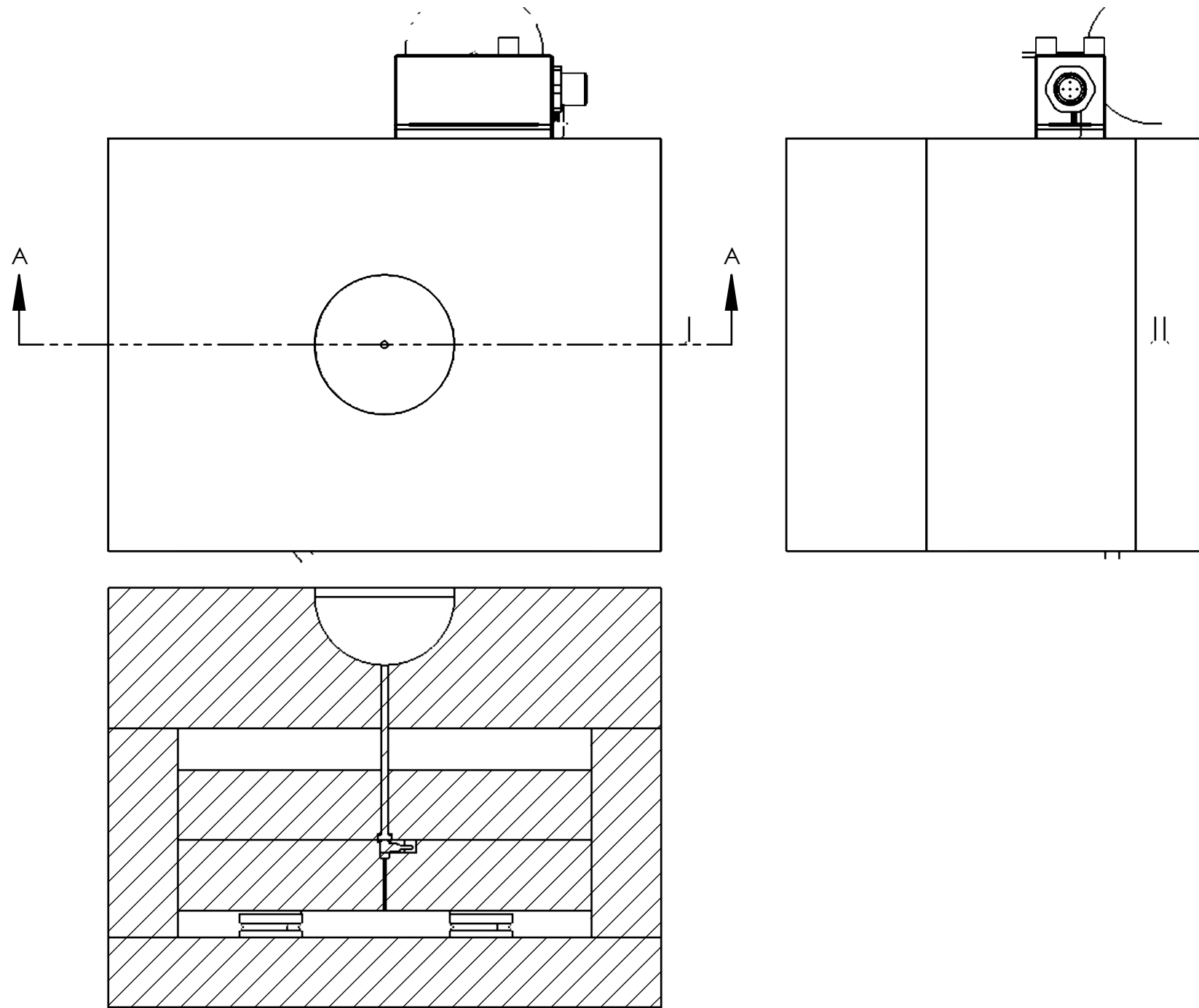


NOTES:

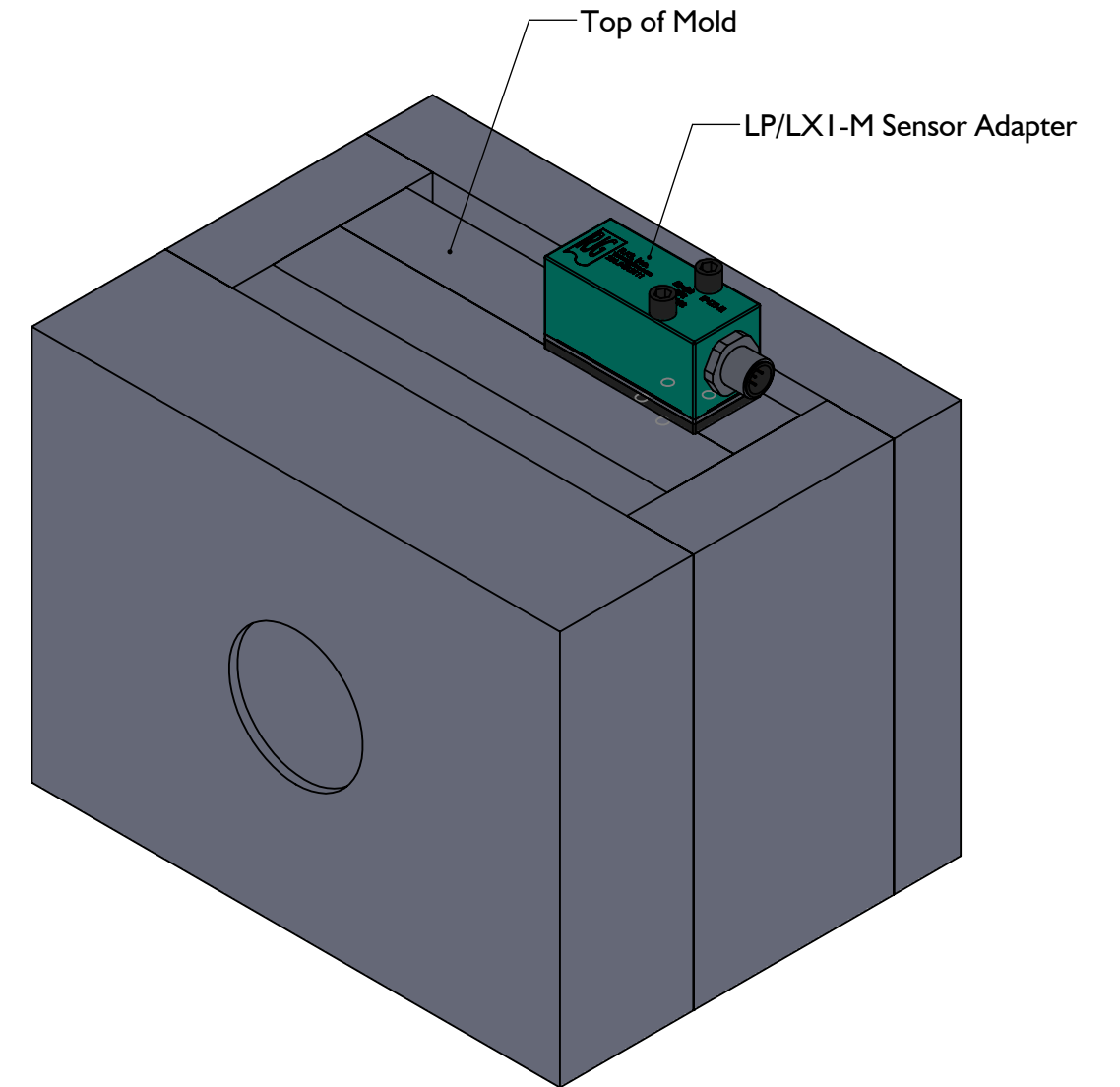
1. ENCLOSED EJECTOR BOX SUGGESTED.
2. DO NOT SCALE PRINT
3. BREAK ALL SHARP EDGES, 0.005 [0.03] R MAX
4. DIMENSIONS IN INCHES [MM], UNLESS NOTED
5. TOLERANCES UNLESS SPECIFIED:
 XXX = ± 0.003 [0.08]
 XX = ± 0.01 [0.3]
 ANGLES = $\pm 3^\circ$ 30°

 <small>3111 Park Street, Traralgon, VIC, 3906 031-454-2111 www.rjg.com.au</small>	Description: 9210 Sensor Installation
	Drawn: K.J.Brettschneider
	Design:
	Check: M.Groleau
Date: 01.05.2022	

Single-Channel 3.5 mm Piezoelectric Sensor (9210) Installation



SECTION A-A
SCALE 1 : 2



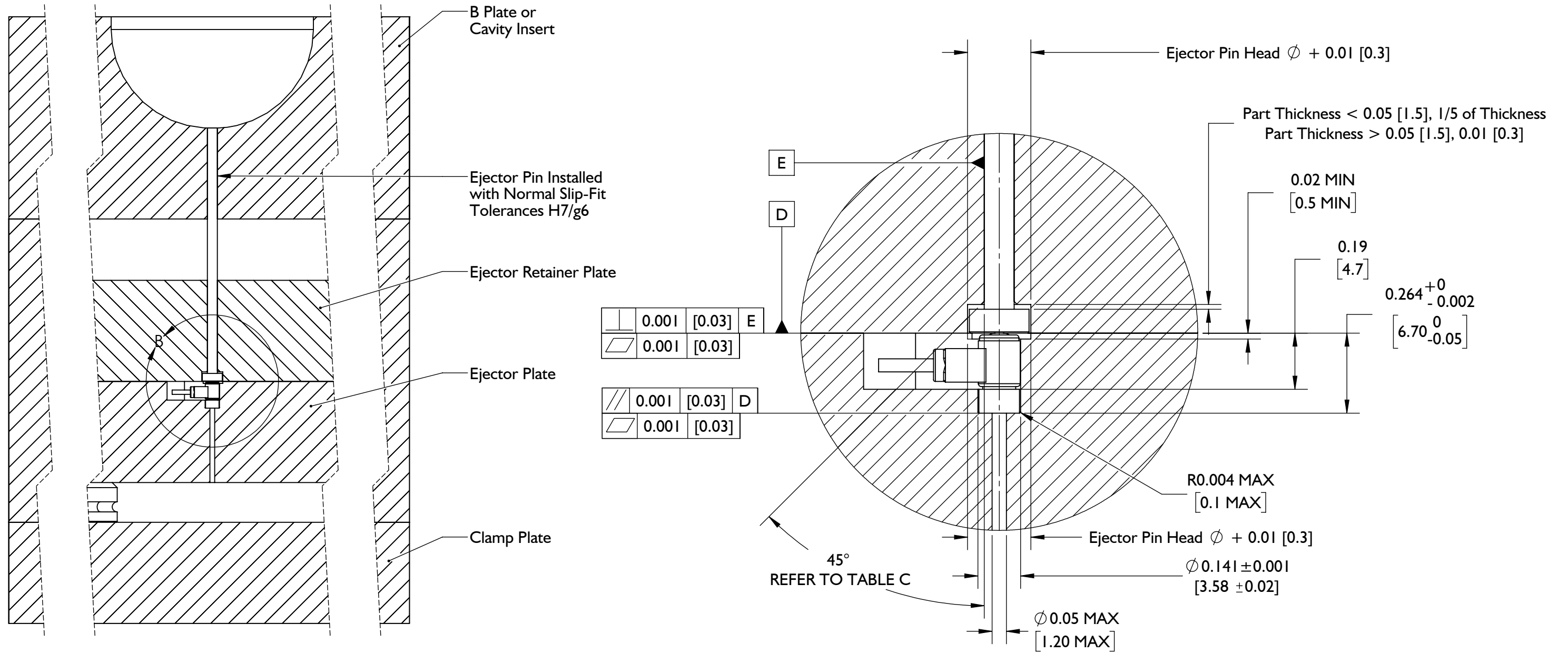
NOTES:

1. ENCLOSED EJECTOR BOX SUGGESTED.
2. DO NOT SCALE PRINT
3. BREAK ALL SHARP EDGES, 0.005 [0.03] R MAX
4. DIMENSIONS IN INCHES [MM], UNLESS NOTED
5. TOLERANCES UNLESS SPECIFIED:
 XXX = ± 0.003 [0.08]
 XX = ± 0.01 [0.3]
 ANGLES = $\pm 3^\circ 30'$



Description: 9210 Sensor Installation
 Drawn: K.J.Brettschneider
 Design:
 Check: M.Groleau
 Date: 01.05.2022

Single-Channel 3.5 mm Piezoelectric Sensor (9210) Installation



	0.001	[0.03]	E
	0.001	[0.03]	
	0.001	[0.03]	D
	0.001	[0.03]	

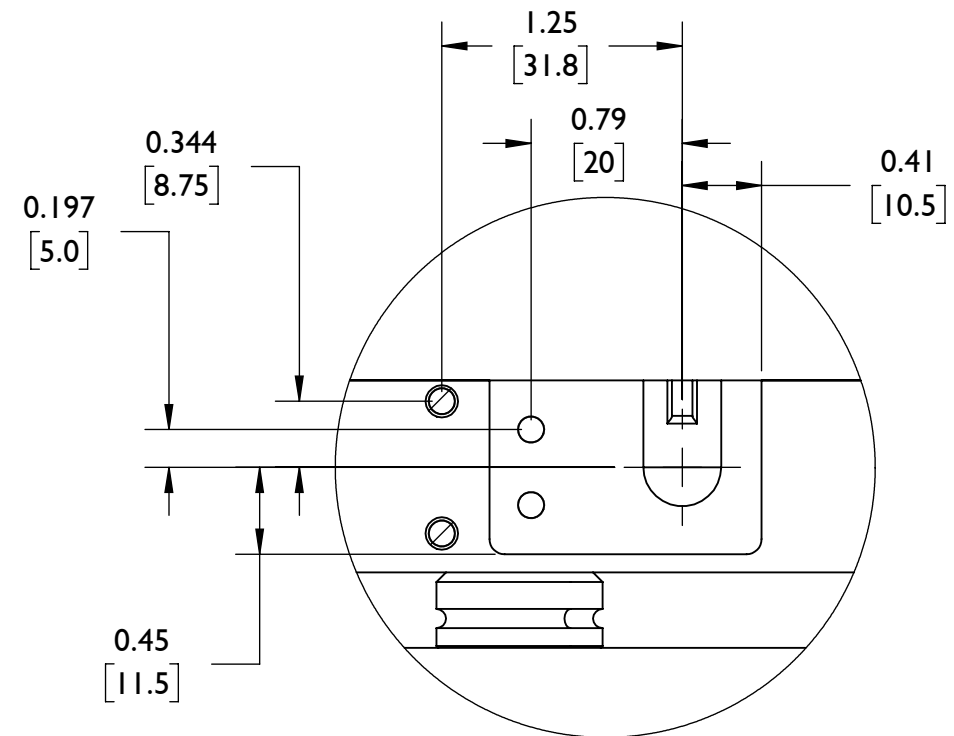
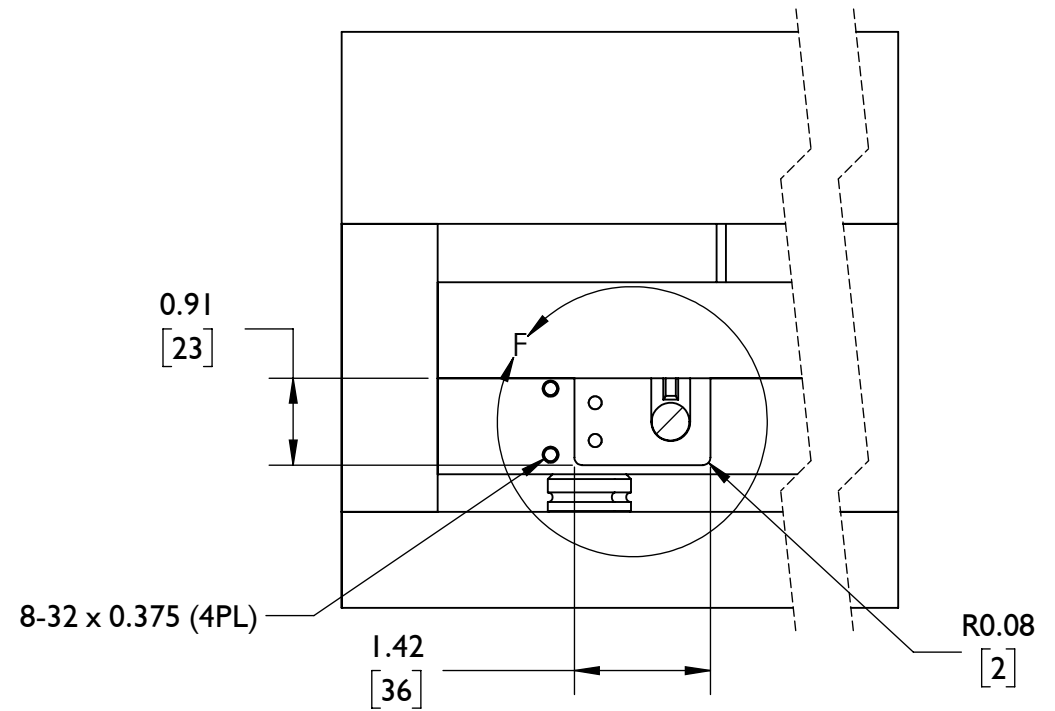
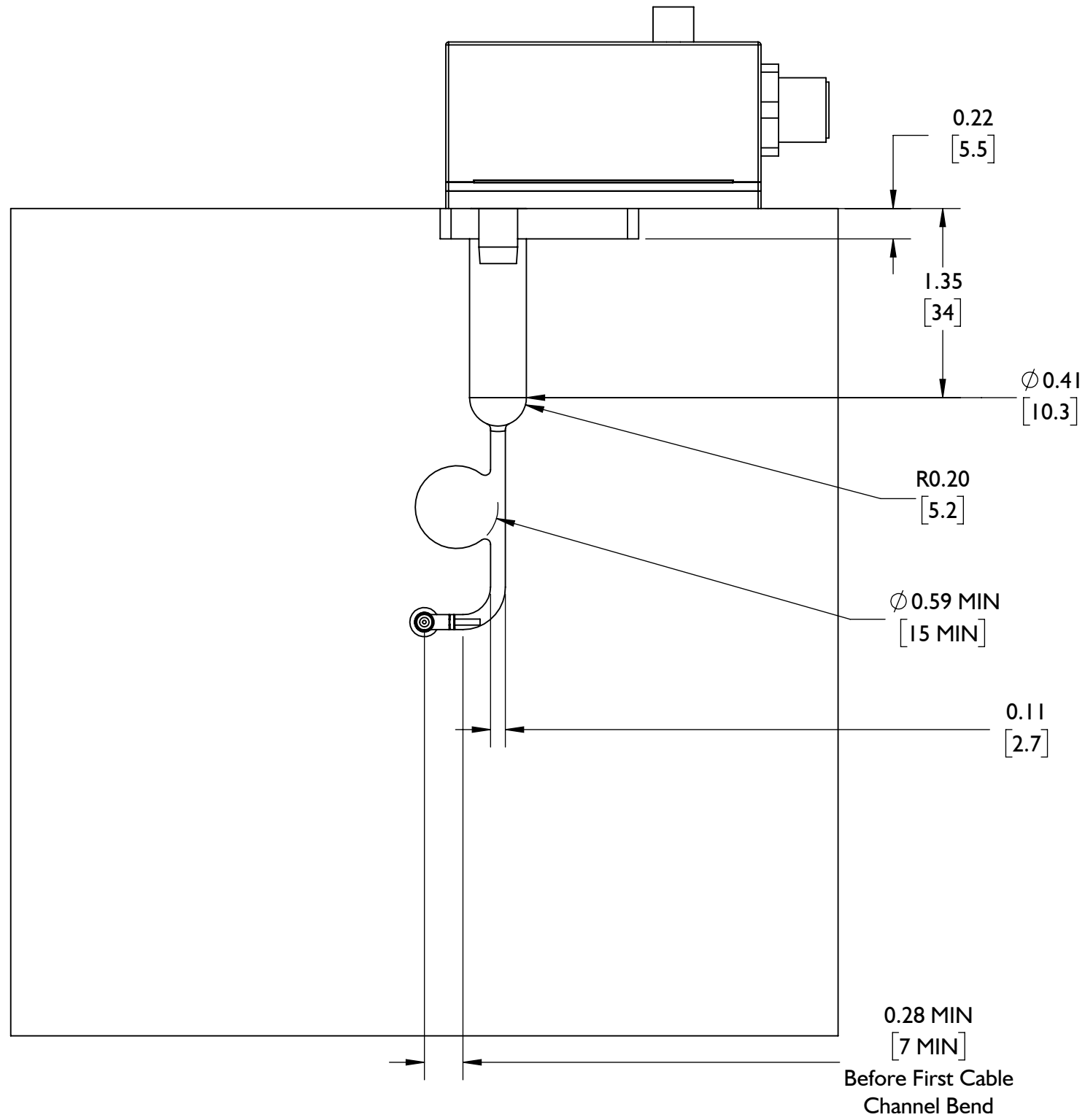
TABLE C	
Ejector Pin Ø	Chamfer Length
0.04-0.08 [1.0-2.0]	0.01 [0.3]
0.10-0.20 [2.5-5.0]	0.02 [0.4]
0.24-0.40 [6.0-10.0]	0.025 [0.6]

DETAIL B
SCALE 3 : 1

- NOTES:
- ENCLOSED EJECTOR BOX SUGGESTED.
 - DO NOT SCALE PRINT
 - BREAK ALL SHARP EDGES, 0.005 [0.03] R MAX
 - DIMENSIONS IN INCHES [MM], UNLESS NOTED
 - TOLERANCES UNLESS SPECIFIED:
 XXX = ±0.003 [0.08]
 XX = ±0.01 [0.3]
 ANGLES = ±3° 30°

 <small>3111 Park Street, Traverse City, MI 49686 231-944-2111 FAX: 231-944-2111</small>	Description: 9210 Sensor Installation
	Drawn: K.J.Brettschneider
	Design:
	Check: M.Groleau
Date: 01.05.2022	

Single-Channel 3.5 mm Piezoelectric Sensor (9210) Installation



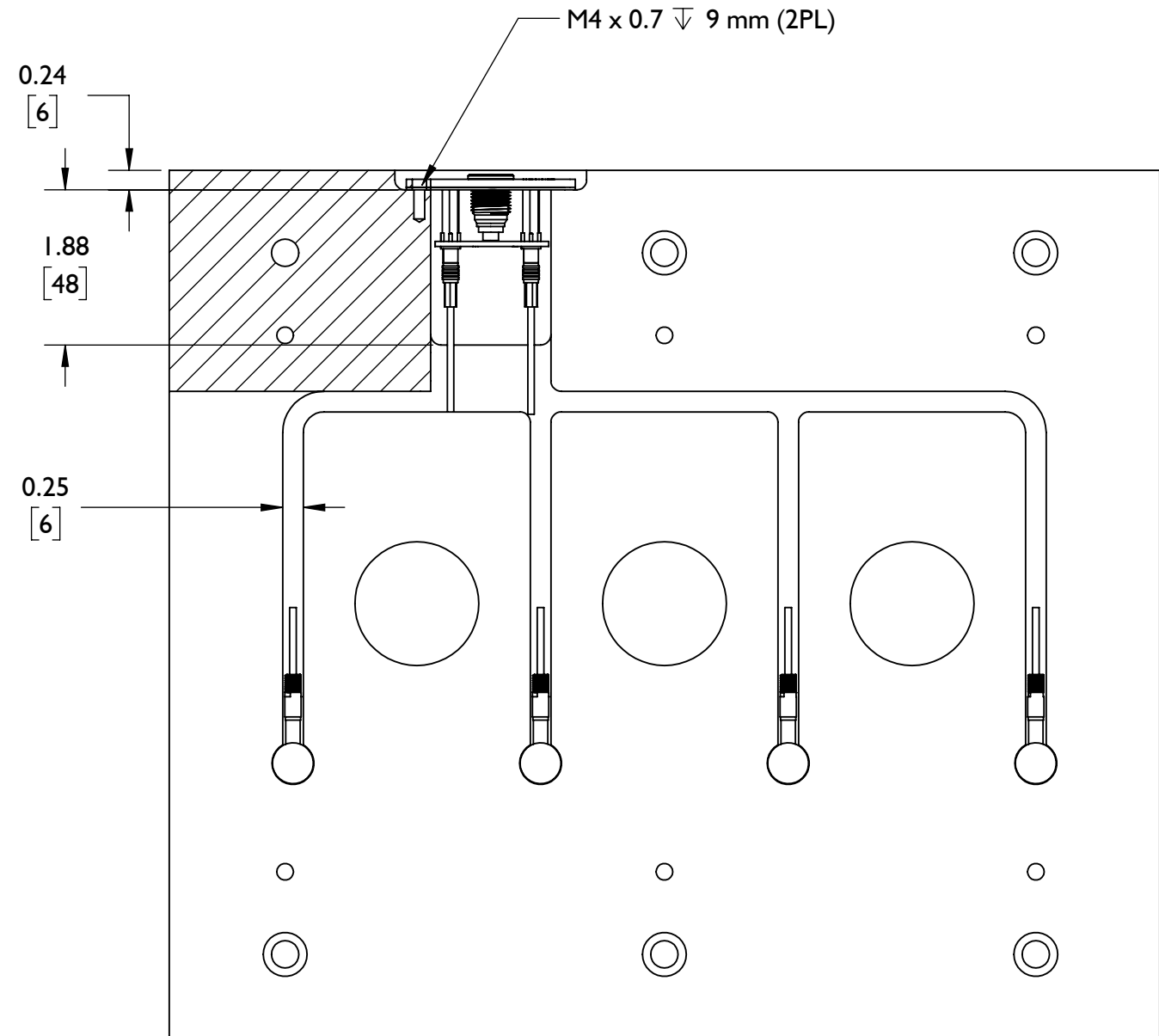
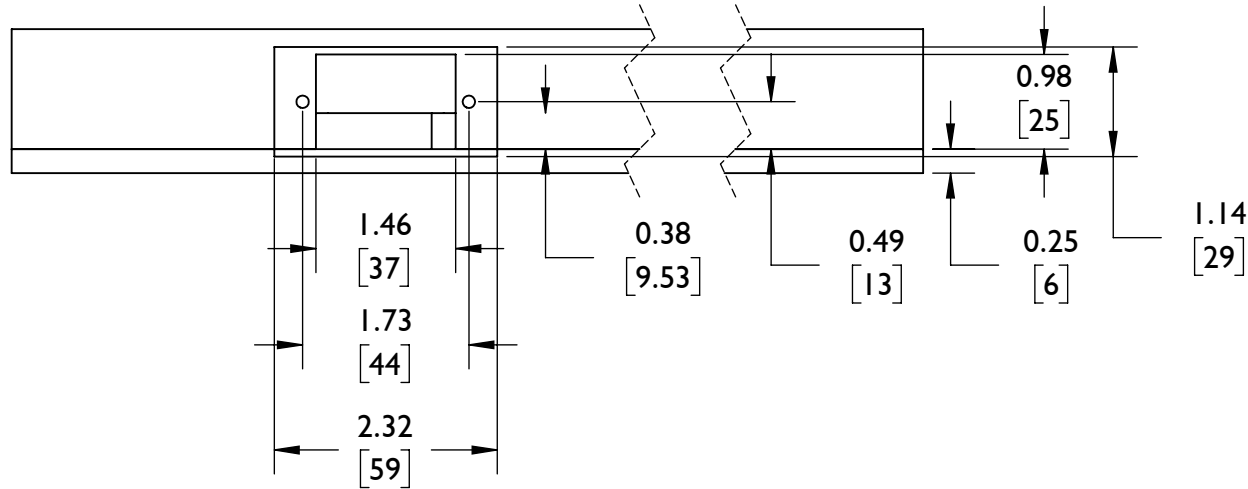
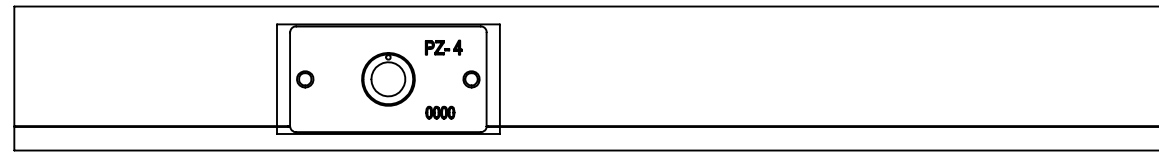
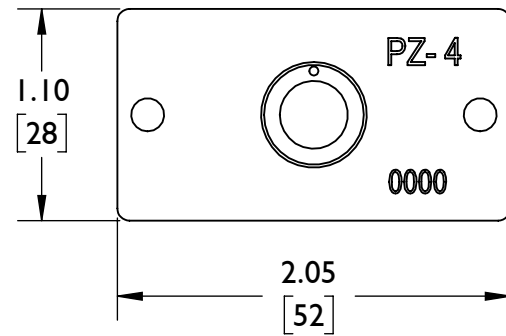
DETAIL F
 SCALE 1 : 1

- NOTES:
1. ENCLOSED EJECTOR BOX SUGGESTED.
 2. DO NOT SCALE PRINT
 3. BREAK ALL SHARP EDGES, 0.005 [0.03] R MAX
 4. DIMENSIONS IN INCHES [MM], UNLESS NOTED
 5. TOLERANCES UNLESS SPECIFIED:
 XXX = ± 0.003 [0.08]
 XX = ± 0.01 [0.3]
 ANGLES = $\pm 3^\circ$ 30°



Description: 9210 Sensor Installation
 Drawn: K.J.Brettschneider
 Design:
 Check: M.Groleau
 Date: 01.05.2022

Mutli-Channel 3.5mm Piezoelectric Sensor (9210) Installation
 Four-Channel Piezoelectric Sensor Connector PZ-4 Installation

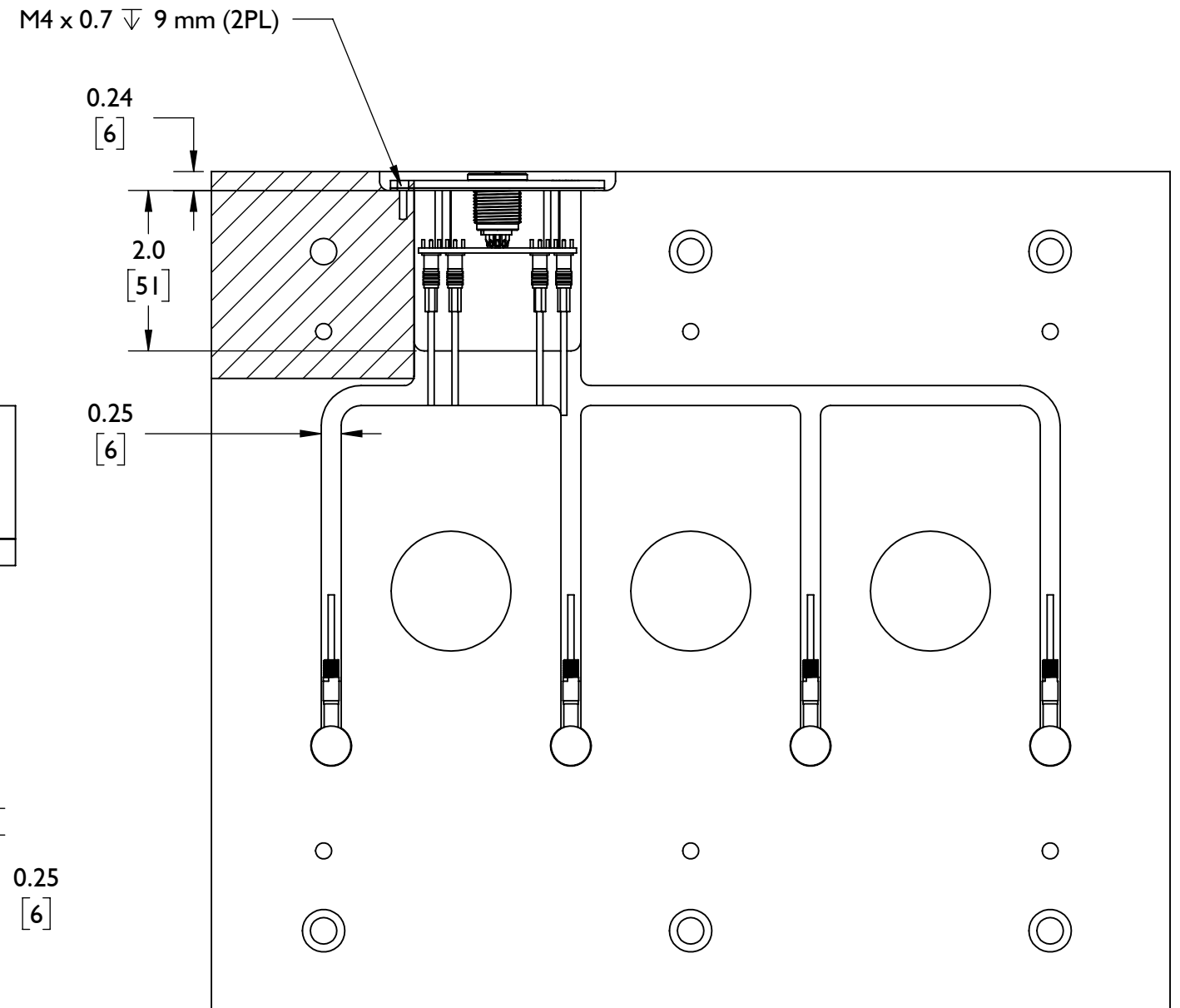
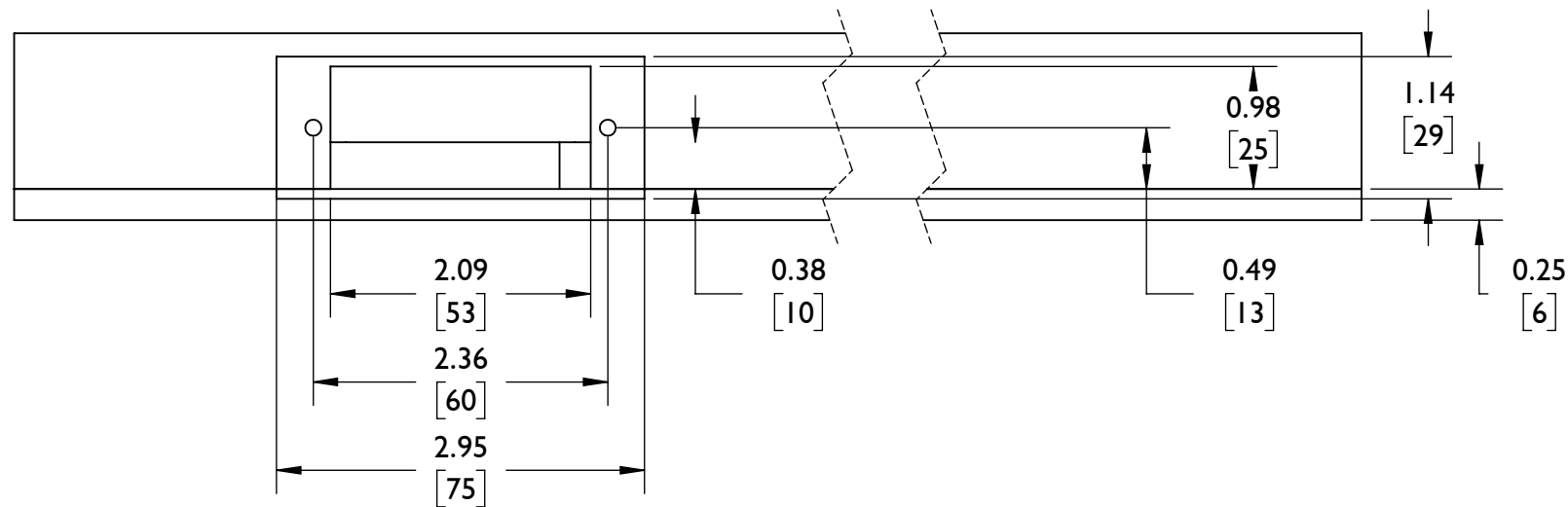
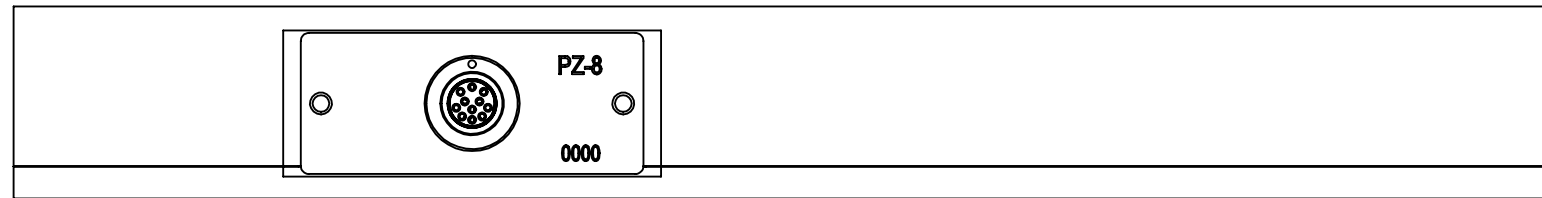
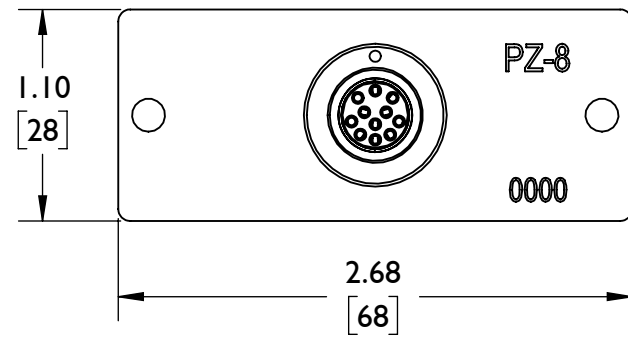


NOTES:

1. ENCLOSED EJECTOR BOX SUGGESTED.
2. DO NOT SCALE PRINT
3. BREAK ALL SHARP EDGES, 0.005 [0.03] R MAX
4. DIMENSIONS IN INCHES [MM], UNLESS NOTED
5. TOLERANCES UNLESS SPECIFIED:
 XXX = ±0.003 [0.08]
 XX = ±0.01 [0.3]
 ANGLES = ±3° 30°

 3111 Park Street, Traverse City, MI 49686 231-944-2111 www.rjg.com	Description: 9210 Sensor Installation
	Drawn: K.J.Brettschneider
	Design:
	Check: M.Groleau
Date: 01.05.2022	

Multi-Channel 3.5 mm Piezoelectric Sensor (9210) Installation
 Eight-Channel Piezoelectric Sensor Connector PZ-8 Installation

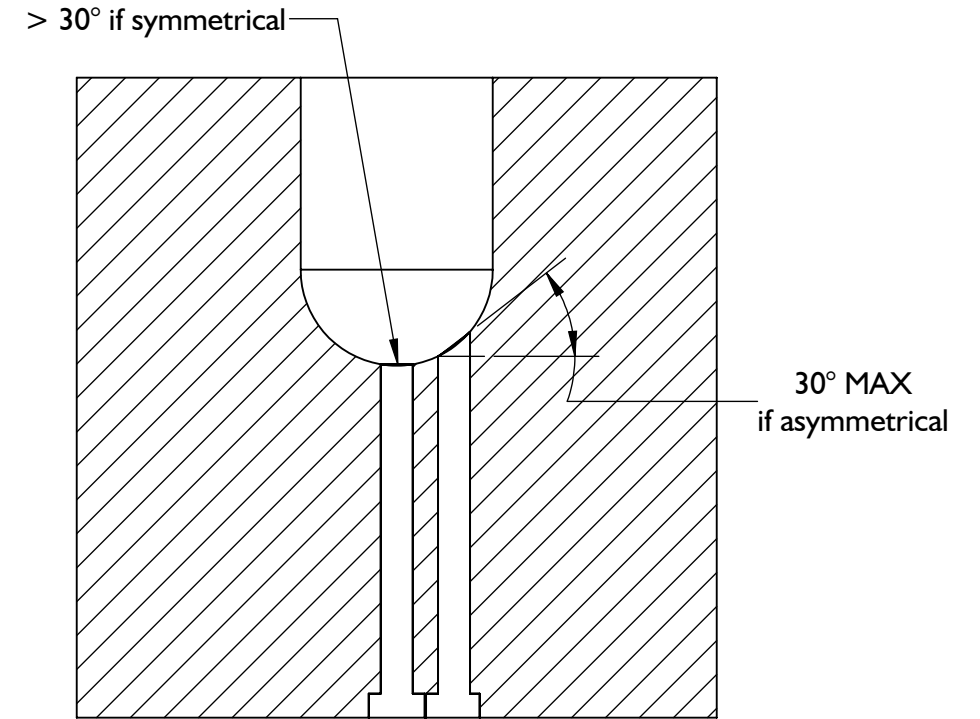
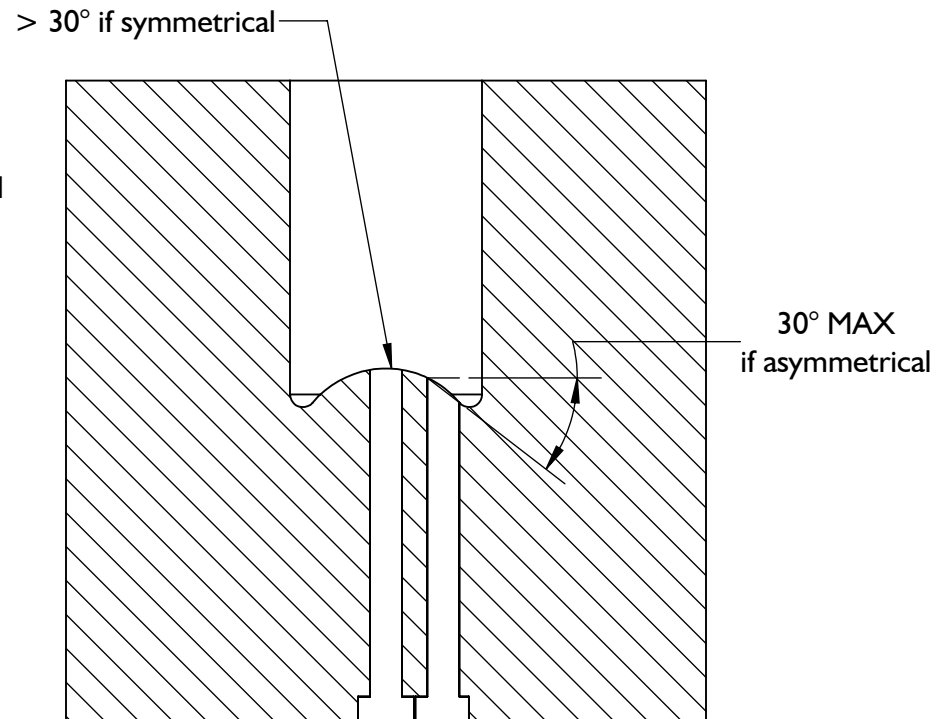
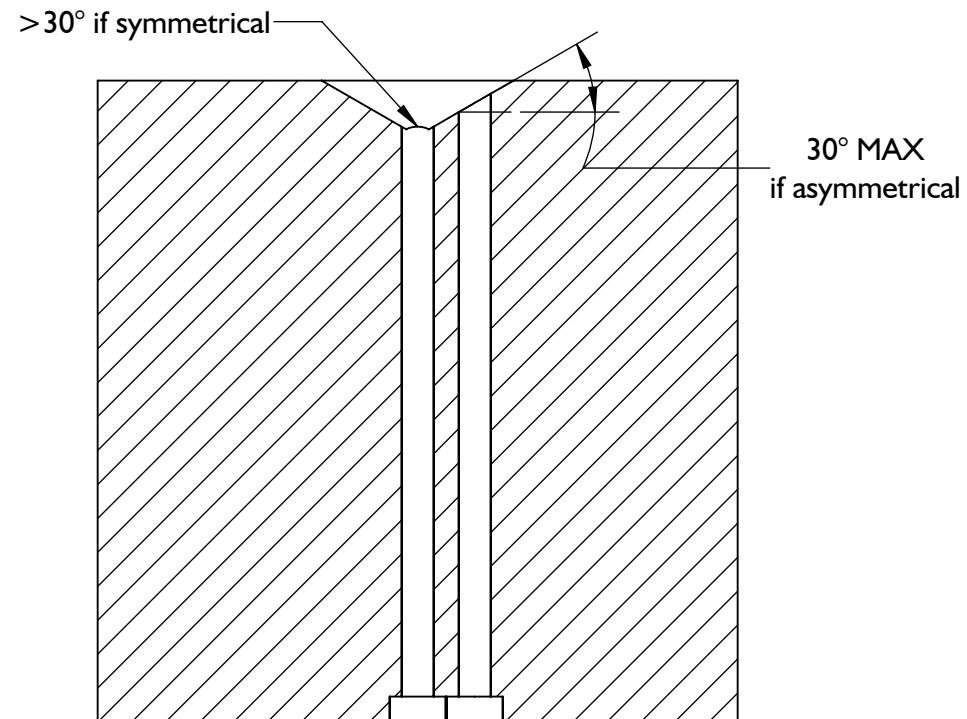
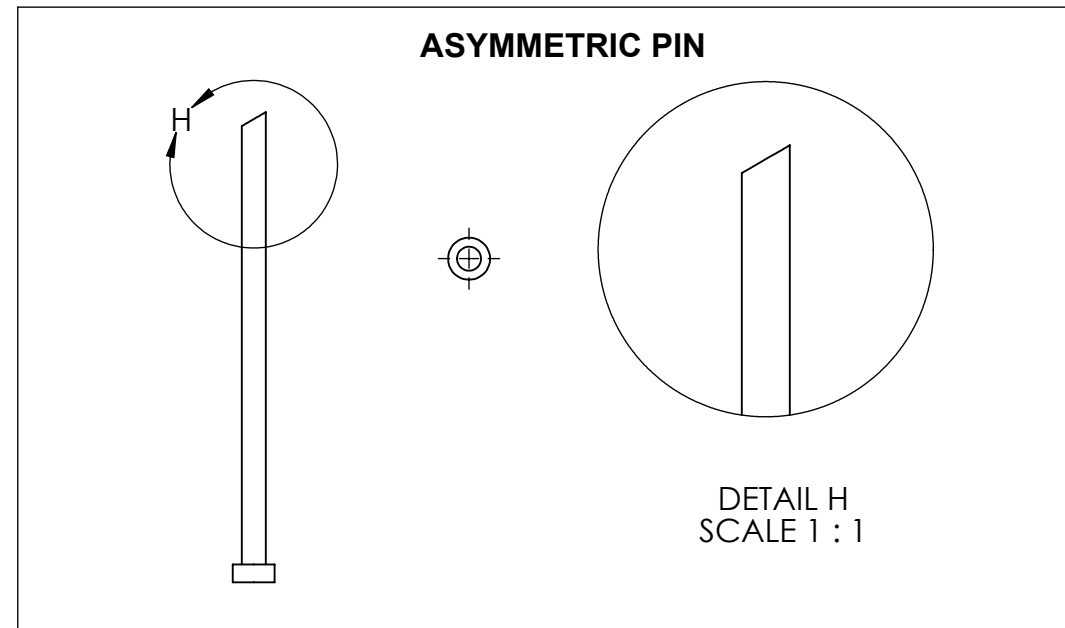
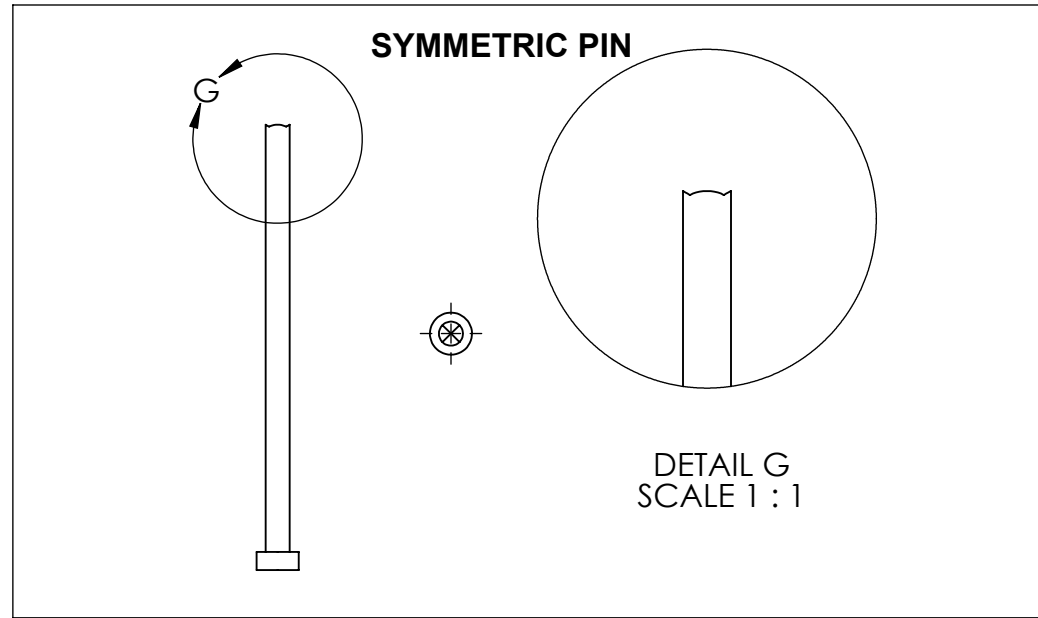


- NOTES:
1. ENCLOSED EJECTOR BOX SUGGESTED.
 2. DO NOT SCALE PRINT
 3. BREAK ALL SHARP EDGES, 0.005 [0.03] R MAX
 4. DIMENSIONS IN INCHES [MM], UNLESS NOTED
 5. TOLERANCES UNLESS SPECIFIED:
 XXX = ±0.003 [0.08]
 XX = ±0.01 [0.3]
 ANGLES = ±3° 30°


<p>3111 Park Street, Traverse City, MI 49606 231-944-2111 www.rjg.com</p>	Description: 9210 Sensor Installation
	Drawn: K.J.Brettschneider
	Design:
	Check: M.Groleau
Date: 01.05.2022	

9210 Sensor Installation—Contoured Pin Angle Specification

NOTE: Contoured/angled pins (asymmetric) not to exceed 30° MAX unless pin design is symmetrical to provide even, downward pressure across pin surface to loading of sensor. Contact RJG Customer Support for assistance in verification of contoured/angled pin use.



- NOTES:
1. ENCLOSED EJECTOR BOX SUGGESTED.
 2. DO NOT SCALE PRINT
 3. BREAK ALL SHARP EDGES, 0.005 [0.03] R MAX
 4. DIMENSIONS IN INCHES [MM], UNLESS NOTED
 5. TOLERANCES UNLESS SPECIFIED:
 XXX = ±0.003 [0.08]
 XX = ±0.01 [0.3]
 ANGLES = ±3° 30°

 <p>3111 Park Street, Traverse City, MI 49606 231-944-2111 www.rjg.com</p>	Description: 9210 Sensor Installation
	Drawn: K.J.Brettschneider
	Design: M.Groleau
	Date: 01.05.2022